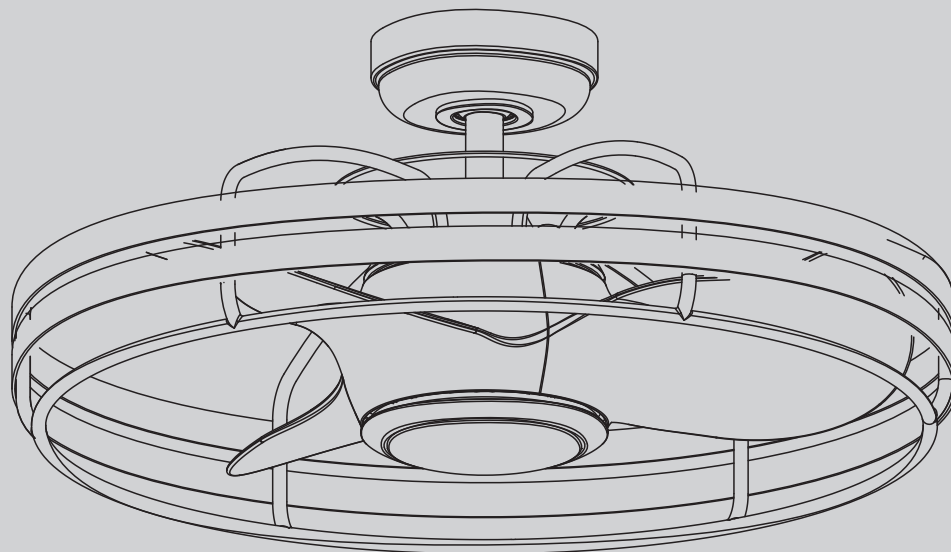


# Ceiling Fan Installation Manual



# Limited Lifetime Warranty

Progress Lighting fan motors are warranted to the original purchaser to be free of electrical and/or mechanical defects for so long as the original purchaser owns the fan. Pull chain switches, reverse switches, capacitors and metal finishes are warranted to be free from defects in materials or workmanship for a period of 1 year from the date of purchase. Warping of wooden or plastic blades is not covered by this warranty nor is corrosion and/or deterioration of any finishes for fans installed within ten miles of any sea coast. Extended warranties for ENERGY STAR® qualified products may apply.

Progress Lighting ceiling fans with built-in LED light sources, when properly installed and under normal conditions of use, are warranted to be free from defects in material and workmanship which cause the light sources to fail to operate in accordance with the specifications for (i) five (5) years from the date of purchase on the LED Light modules and electrical components for fans used in single family residences, and (ii) three (3) years from the date of purchase on the LED Light modules and electrical components for fans used in multi-family or commercial applications. LED bulbs supplied by Progress Lighting carry no warranty other than manufacturer's warranty. Non-LED bulbs carry no warranty.

With proof of purchase, the original purchaser may return the defective fan to the place of purchase during the first 30 days for replacement. After 30 days, the original purchaser MUST contact Progress Lighting at (864) 678-1000 for repair or replacement which shall be determined in Progress Lighting's sole discretion and shall be purchaser's sole and exclusive remedy.

Labor and Shipping Excluded. This warranty does not cover any costs or fees associated with the labor (including, but not limited to, electrician's fees) required to install, remove, or replace a fan or any fan parts.

This warranty shall not apply to any loss or damage resulting from (i) normal wear and tear or alteration, misuse, abuse or neglect, or (ii) improper installation, operation, repair or maintenance by original purchaser or a third party, including without limitation improper voltage supply or power surge, use of improper parts or accessories, unauthorized repair (made or attempted) or failure to provide maintenance to the fan.

THE FOREGOING WARRANTIES STATE PROGRESS LIGHTING'S ENTIRE WARRANTY OBLIGATION AND ORIGINAL PURCHASER'S SOLE AND EXCLUSIVE REMEDY RELATED TO SUCH PRODUCTS. PROGRESS LIGHTING IS NOT RESPONSIBLE FOR DAMAGES (INCLUDING INDIRECT, SPECIAL, INCIDENTAL OR CONSEQUENTIAL), DUE TO PRODUCT FAILURE, WHETHER ARISING OUT OF BREACH OF WARRANTY, BREACH OF CONTRACT, OR OTHERWISE. THIS WARRANTY IS GIVEN IN LIEU OF ALL OTHER WARRANTIES, WHETHER EXPRESSED OR IMPLIED, INCLUDING THOSE OF MERCHANTABILITY, FITNESS FOR A PARTICULAR PURPOSE OR NONINFRINGEMENT.

Some states do not allow limitations on how long an implied warranty lasts or the exclusion or limitations of incidental or consequential damages, so the above limitations and exclusions may not apply to you. This warranty gives you specific rights and you may have other rights which vary from state to state.

Date Purchased \_\_\_\_\_

Store Purchased \_\_\_\_\_

Model No. \_\_\_\_\_ P250096

Serial No. \_\_\_\_\_

Vendor No. \_\_\_\_\_ 126900

785247266654

785247266661

UPC  785247266678



Safety Rules.....	1.
Unpacking Your Fan .....	2.
Installing Your Fan .....	3.
Operating Your Transmitter .....	8.
Care of Your Fan .....	9.
Troubleshooting .....	10.
Specifications .....	11.

## *Table of Contents*

1. To reduce the risk of electric shock, ensure electricity has been turned off at the circuit breaker or fuse box before beginning.
2. All wiring must be in accordance with the National Electrical Code and local electrical codes. Electrical installation should be performed by a qualified licensed electrician.
3. **WARNING:** To reduce the risk of electrical shock and fire, do not use this fan with any solid-state fan speed control device.
4. **WARNING:** To reduce the risk of fire, electric shock, or personal injury, mount to outlet box marked "Acceptable for Fan Support of 15.9 kg (35 lbs.) Or Less" and use mounting screws provided with the outlet box. Most outlet boxes commonly used for the support of light fixtures are not acceptable for fan support and may need to be replaced. Due to the complexity of the installation of this fan, a qualified licensed electrician is strongly recommended.
9. To avoid personal injury or damage to the fan and other items, be cautious when working around or cleaning the fan.
10. Do not use water or detergents when cleaning the fan or fan blades. A dry dust cloth or lightly dampened cloth will be suitable for most cleaning.
11. After making electrical connections, spliced conductors should be turned upward and pushed carefully up into the outlet box. The wires should be spread apart with the grounded conductor and the equipment-grounding conductor on one side of the outlet box.
12. Electrical diagrams are for reference only. Light kits that are not packed with the fan must be UL Listed and marked suitable for use with the model fan you are installing. Switches must be UL General Use Switches. Refer to the Instructions packaged with the light kits

**WARNING**

TO REDUCE THE RISK OF FIRE, ELECTRIC SHOCK OR PERSONAL INJURY, MOUNT FAN TO OUTLET BOX MARKED ACCEPTABLE FOR FAN SUPPORT.

**WARNING**

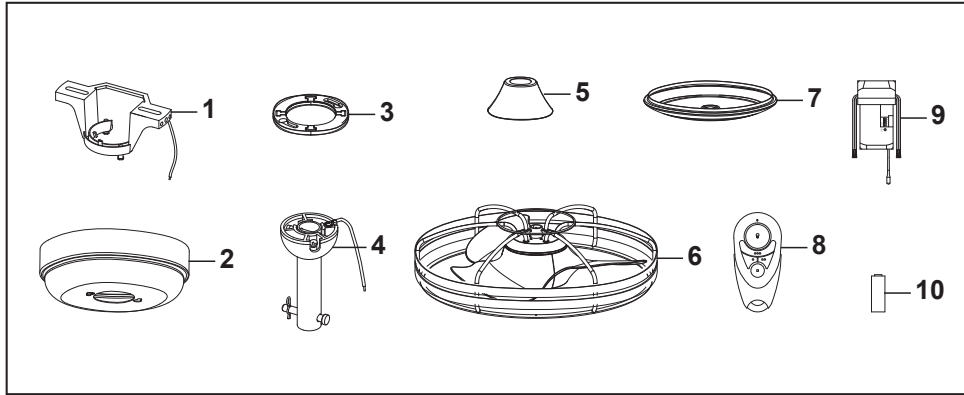
TO REDUCE THE RISK OF PERSONAL INJURY, DO NOT BEND THE BLADE ARMS (ALSO REFERRED TO AS BRACKETS) DURING ASSEMBLY OR AFTER INSTALLATION. DO NOT INSERT OBJECTS IN THE PATH OF THE BLADES.

5. The outlet box and support structure must be securely mounted and capable of reliably supporting a minimum of 35 lbs (15.9 kg) or less. Use only UL-listed outlet boxes marked **FOR FAN SUPPORT**.
6. The fan must be mounted with a minimum of 7 ft (2.1m) clearance from the trailing edge of the blades to the floor.
7. To operate the reverse function on this fan, slide the reverse switch to the opposite position. Do not operate reverse switch while fan blades are in motion. Fan must be turned off and blades stopped before reversing blade direction.
8. Avoid placing objects in the path of the blades.

**NOTE**

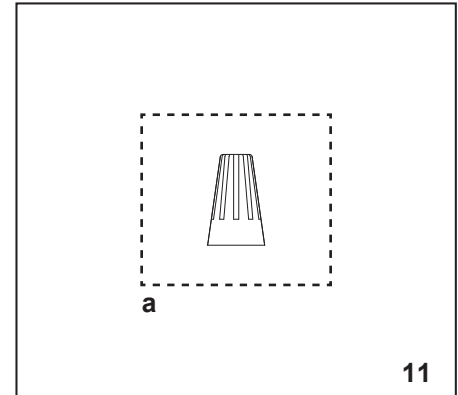
READ AND SAVE ALL INSTRUCTIONS!

# *1. Safety Rules*



Unpack your fan and check the contents. You should have the following items:

- |                         |   |
|-------------------------|---|
| 1.Hanger bracket        | 6.Fan motor assembly                          |
| 2.Canopy                | 7.Decorative cover                            |
| 3.Canopy cover          | 8.Transmitter incl. holder + 1 mounting screw |
| 4.Ball/downrod assembly | 9.Receiver with 5 wire nuts                   |
| 5.Coupling cover        | 10.12V 23A battery                            |



11.Loose parts bag containing:

- a.Mounting hardware**  
**Wire nuts (4)**

## *Unpacking Your Fan 2.*

## Tools Required

Phillips screw driver, straight slot screw driver, adjustable wrench, step ladder, and wire cutters.

## Mounting Options

If there isn't an existing UL listed mounting box, then read the following instructions. Disconnect the power by removing fuses or turning off circuit breakers.

Secure the outlet box directly to the building structure. Use appropriate fasteners and building materials. The outlet box and its support must be able to fully support the moving weight of the fan (at least 35 lbs). Do not use plastic outlet boxes.

**WARNING**  
TO REDUCE THE RISK OF FIRE, ELECTRIC SHOCK, OR OTHER PERSONAL INJURY, MOUNT FAN ONLY TO AN OUTLET BOX MARKED ACCEPTABLE FOR FAN SUPPORT AND USE THE MOUNTING SCREWS PROVIDED WITH THE OUTLET BOX. OUTLET BOXES COMMONLY USED FOR THE SUPPORT OF LIGHTING FIXTURES MAY NOT BE ACCEPTABLE FOR FAN SUPPORT AND MAY NEED TO BE REPLACED. CONSULT A QUALIFIED ELECTRICIAN IF IN DOUBT.

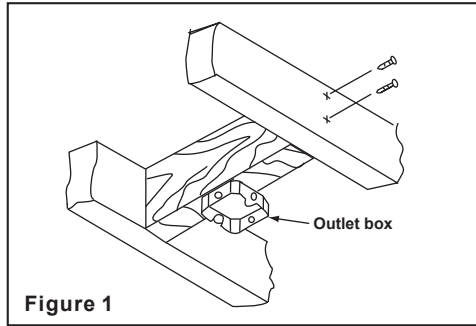


Figure 1

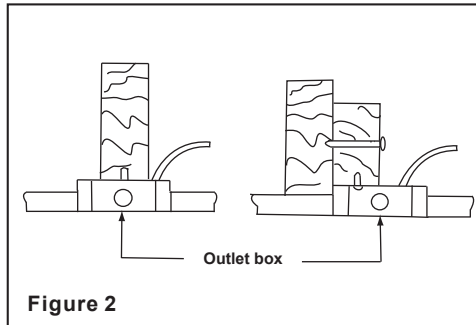


Figure 2

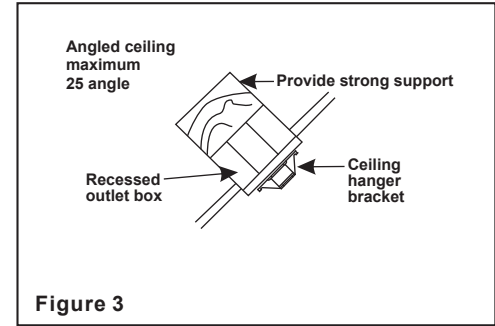


Figure 3

**Note:** You may need a longer downrod to maintain proper blade clearance when installing on a steep, sloped ceiling.

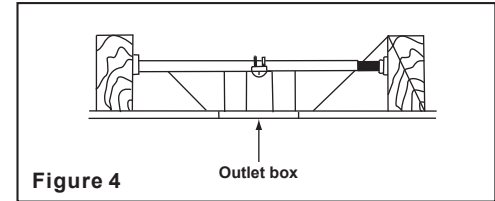


Figure 4

To hang your fan where there is an existing fixture but no ceiling joist, you may need an installation hanger bar as shown in Figure 4 (available at your Progress Lighting Retailer).

# 3. Installing Your Fan

# Hanging the Fan

**REMEMBER** to turn off the power. Follow the steps below to hang your fan properly:

**Step 1.** Pass the 120-volt supply wires through the center hole in the ceiling hanger bracket as shown in Fig. 5.

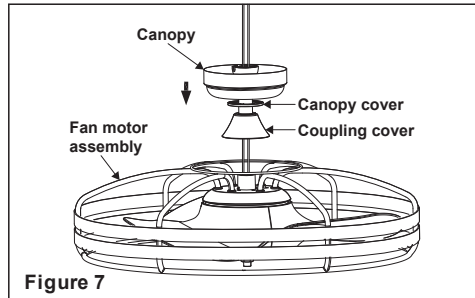
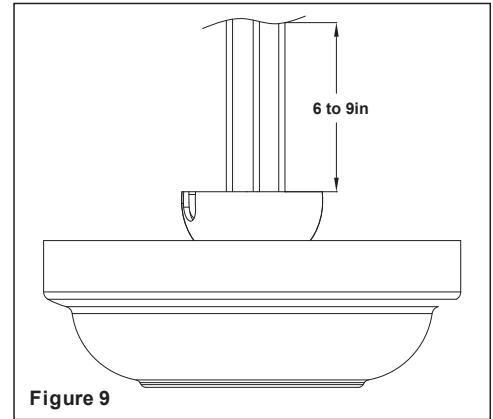
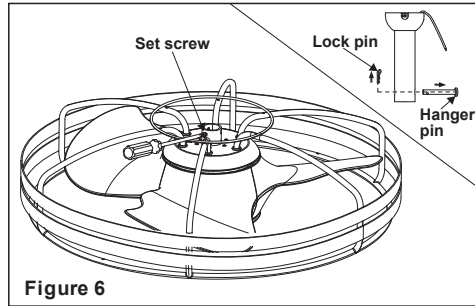
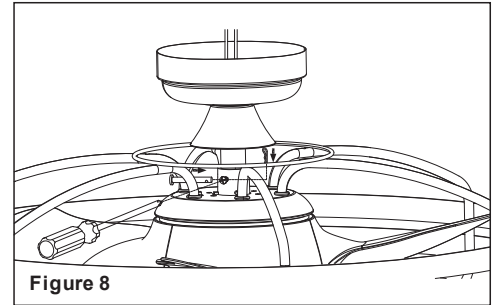
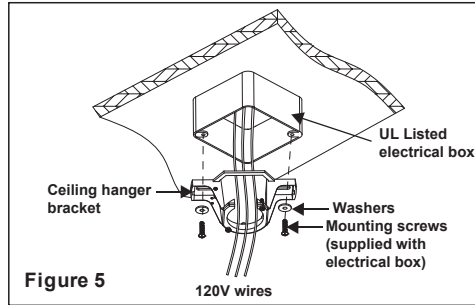
**Step 2.** Secure the hanger bracket to the ceiling outlet box with the screws and washers provided with your outlet box.

**Step 3.** Remove the hanger pin, lock pin and set screws from the top of the motor assembly. (Fig. 6)

**Step 4.** Route wires exiting from the top of the fan motor through the coupling cover, canopy cover, canopy and then through the downrod. (Fig. 7)

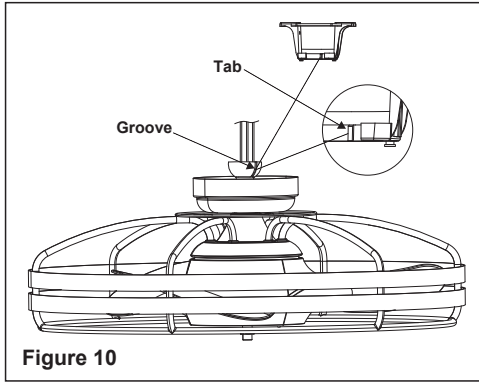
**WARNING**  
FAILURE TO PROPERLY INSTALL  
LOCK PIN AS NOTED IN STEP 5  
COULD RESULT IN FAN LOOSENING AND  
POSSIBLY FALLING.

**Step 5.** Carefully insert the hanger pin through the holes in the collar and downrod. Be careful not to jam the pin against the wiring inside the downrod. Insert the lock pin through the hole near the end of the hanger pin until it snaps into its locked position, and tighten set screws as shown in Figure 8.



**Step 6.** Cut off excess fixture wires leaving approximately 6 to 9 inches above top of hanger ball/downrod assembly. (Figure 9)

**Step 7.** Carefully lift the assembly and rest the hanger ball of downrod assembly on the hanger bracket attached to the outlet box. Be sure the groove in the hanger ball is lined up with the tab on the hanger bracket. (Fig.10)



## Make the Electric Connections

**WARNING:** To avoid possible electrical shock, be sure electricity is turned off at the main fuse box before wiring.

5.

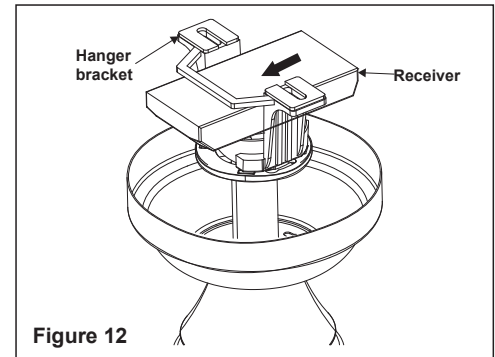
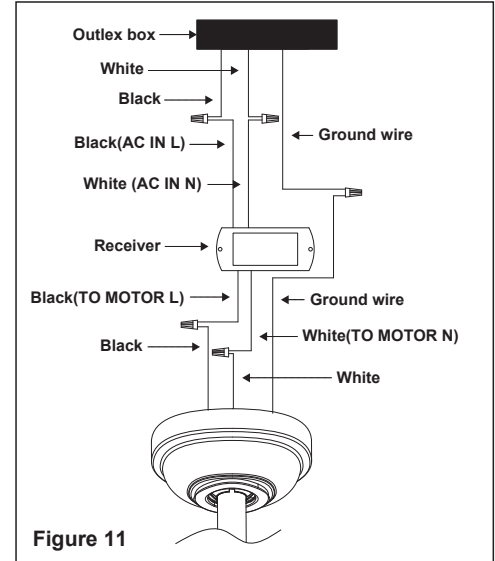
**WARNING:** Fan must be installed at a maximum distance of 20 feet from the transmitting unit for proper signal transmission between the transmitting unit and the fan's receiving unit. If you feel you do not have enough electrical wiring knowledge or experience, have your fan installed by a licensed electrician.

**Step 1.** Motor to receiver electrical connections: Connect the black wire from the fan to the black wire from the receiver. Connect the white wire from the fan to the white wire from the receiver. (Fig.11)

**Step 2.** Receiver to house supply wires electrical connections: Connect the black (hot) wire from the ceiling to the black wire marked "AC IN L" from the receiver. Connect the white (neutral) wire from the ceiling to the white wire marked "AC IN N" from the receiver. (Fig.11)

**Step 3.** Ground wires connections: Connect the GROUND wire from the house to the GREEN wires from the motor assembly and mounting plate. (Fig.11)  
Secure all wire connections with the plastic wire nuts provided.

**Step 4.** Place the receiver into the hanger bracket and keep flat in opposition of ceiling. (Fig. 12)





## Finishing the Installation

**Step 1.** Tuck connections neatly into ceiling outlet box.

**Step 2.** Slide the canopy up to mounting bracket and place the key hole on the canopy over the screw on the mounting bracket, turn canopy until it locks in place at the narrow section of the key holes. (Fig. 13)

**Step 3.** Align the circular hole on canopy with the remaining hole on the mounting bracket, secure by tightening the two set screws. Note: Adjust the canopy screws as necessary until the canopy and canopy cover are snug.

### WARNING

Make sure the notch on the hanging bracket properly sits in the groove in the hanger ball before attaching the canopy to the bracket by turning the housing until it drops into place.

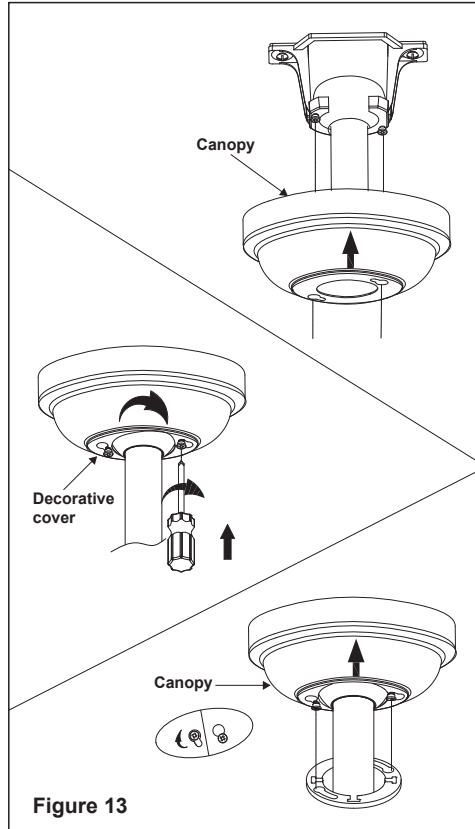


Figure 13

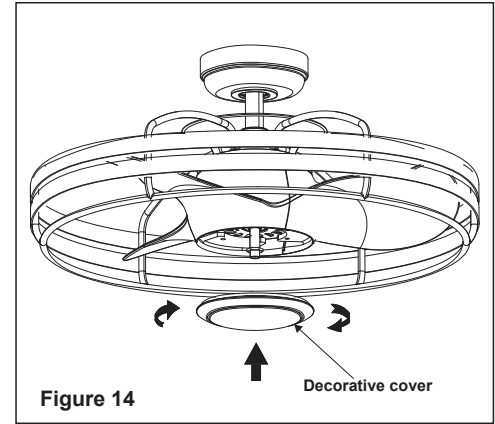


Figure 14

**Step 4.** Secure the decorative cover to fan motor assembly by twisting in a clockwise direction. Do not over-tighten. (Figure 14)

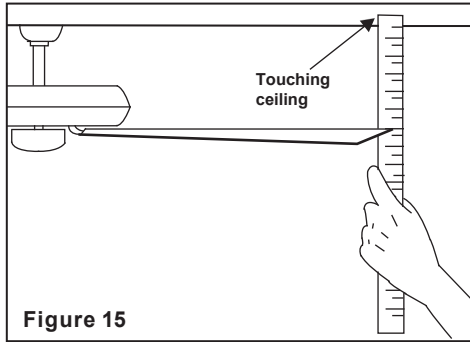
## Blade Balancing

All blades are grouped by weight. Because natural woods vary in density, the fan may wobble even though the blades are weighed equally.

The following procedure should correct most fan wobbling problems. Check after each step.

1. Check that all blade and blade arm screws are secure.
2. Most fan wobbling problems are caused when blade levels are unequal. Check this level by selecting a point on the ceiling above the tip of one of the blades. Measure this distance as shown in Figure 15. Rotate the fan until the next blade is positioned for measurement. Repeat for each blade. The distance deviation should be equal within 1/8".
3. If the blade wobble is still noticeable, interchanging two adjacent (side by side) blades can redistribute the weight and possibly result in smoother operation.

**WARNING**  
TO REDUCE THE RISK OF PERSONAL INJURY, DO NOT BEND THE BLADE HOLDERS WHILE INSTALLING, BALANCING THE BLADES, OR CLEANING THE FAN. DO NOT INSERT FOREIGN OBJECTS BETWEEN ROTATING FAN BLADES.



**Figure 15**

**WARNING - If any Special Control Devices are used with this Fixture, Follow the Instructions Carefully to assure full compliance with N.E.C. requirements. If there are any questions, contact a Qualified Electrical Contractor.**  
**CAUTION - All glass is fragile, use care when handling Glass component(s) and or Lamp(s).**

This remote control is designed to separately control your ceiling fan speed and light brightness.

There are four buttons . . . . .

■ to control the fan speed and off.

The light button will control the lights

The light button will turn the lights on/off and full range dim

The green indicator on the transmitter will light when the button is pressed.

## INSTALLATION AND OPERATING INSTRUCTION

### 1. SETTING THE CODE

This unit has 16 different code combinations. To set the code, perform these steps

#### A. Setting the code on the transmitter.

- Remove battery cover. Press firmly below arrow and slide battery cover off.
- Slide code switches to your choice of up or down position. Factory setting is all up. Do not use this position. Use a small screwdriver or a ball point pen to slide firmly up or down (Figure 16-1).

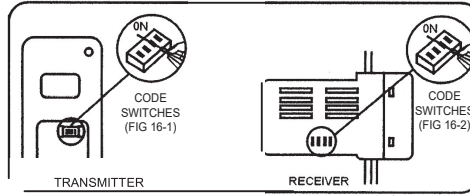
#### B. Setting the code on the receiver.

- Slide code switches to the same positions as set on your transmitter
- Replace battery cover on transmitter. (Figure 16-2).

### 2. INSTALLING RECEIVER IN CEILING FAN

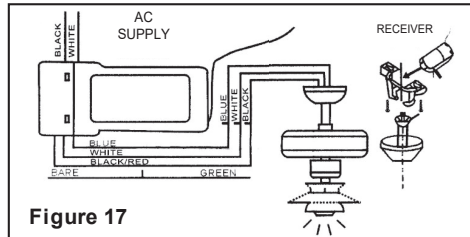
#### A. Safety precautions:

- **WARNING: HIGH VOLTAGE!**
- Do not use solid state fan speed control or light dimmer wall control.
- Electrical wiring must meet all local and national electrical code requirements.
- Electrical source and fan must be 115/120 volt. 60Hz. Maximum fan motor amps: 1.0. Maximum light watts: 300W (incandescent)
- Household electrical power can cause serious injury or death!



#### B. Installing receiver in fan:

- Turn electricity off at main circuit breaker panel before beginning installation.
- Remove ceiling fan canopy from the mounting bracket
- Disconnect existing wiring between ceiling fan and supply at electrical junction box.
- Make connections as follows, using the wire nuts supplied:  
 Connect BLACK Control Unit wire to BLACK supply wire (AC L).  
 Connect WHITE Control Unit wire to WHITE wire of supply (AC N)  
 Connect WHITE Control Unit wire (MOTOR N) to WHITE fan wire.  
 Connect BLACK Control Unit wire (MOTOR L) to BLACK fan wire.  
 Connect BLUE Control Unit wire (FOR LIGHT) to BLUE light wire.  
 If other fan or supply wires are different colors, have this unit installed by qualified licensed electrician.
- Push all connected wires up into junction box.
- Lay the black antenna wire on top of the receiver, and put the receiver in the mounting bracket.
- Reinstall the canopy on the mounting bracket.
- Restore electrical power.



#### CAUTION:

Do not use fan speed control in canopy where the mounting bracket is not described in Figure 17.

### 3. OPERATING TRANSMITTER :

- Install 12 volt battery (included). To prevent damage to transmitter, remove the battery if not use for long period.
- Store the transmitter away from excess heat or humidity.
- This remote control unit is equipped with 16 code combinations to prevent possible interference from or to other remote units such as garage door openers, car alarm or security system. If you find that your fan and light kit go on and off without using your remote control, simply change the combination code in your transmitter and receiver.

#### D. Operation buttons on the panel of the transmitter.

- • • key-for fan high speed.
- • key for fan medium speed.
- key for fan low speed.
- key-for fan speed off.
- Ⓛ key for lights on/off and hold to dim
- Ⓜ key-Reverse the fan's direction of rotation (if fan has a reverse receiver)\*

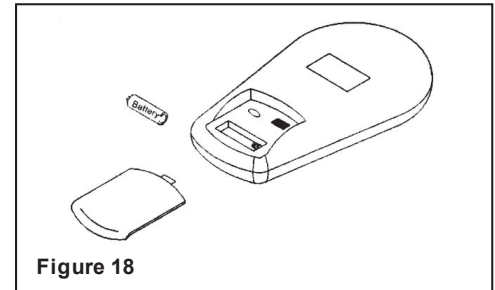
The light function is controlled by pressing the Ⓛ key. Hold key down to increase or decrease light. Tap key quickly to turn light off or on

Keep pressing the button in excess of 0.7 second, it becomes dimmer, the light varies cyclically in 0.8 second.

\*The fan must be running on any speed before the "reverse" button is depressed

#### E. Memory function:

When the fan or light is turned off by the wall control, it will memorize and recover automatically to the last fan speed and/or light



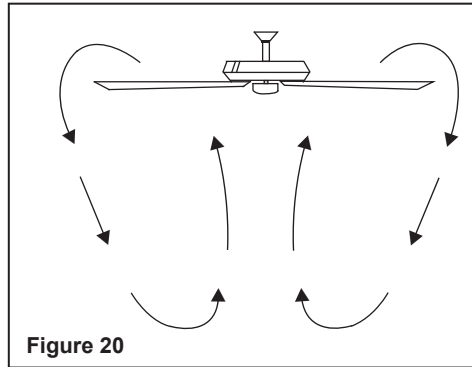
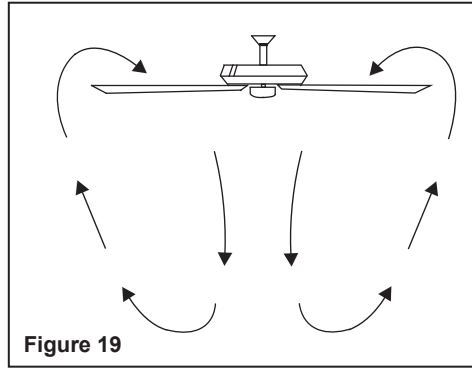
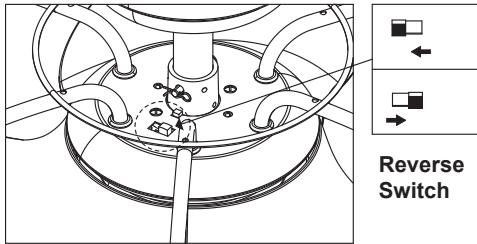
# Operating Your Transmitter 8.

Speed settings for warm or cool weather depend on factors such as the room size, ceiling height, number of fans and so on.

**NOTE:** to operate the reverse function on this fan, slide the reverse switch to the opposite position. Do not operate reverse switch while fan blades are in motion. Fan must be turned off and blades stopped before reversing blade direction.

Warm weather - (Forward) A downward airflow creates a cooling effect as shown in Fig. 19. This allows you to set your air conditioner on a warmer setting without affecting your comfort.

Cool weather - (Reverse) An upward airflow moves warm air off the ceiling area as shown in Fig. 20. This allows you to set your heating unit on a cooler setting without affecting your comfort.



Here are some suggestions to help you maintain your fan.

1. Because of the fan's natural movement, some connections may become loose. **Check the support connections, brackets, and blade attachments twice a year.** Make sure they are secure. **(It is not necessary to remove fan from ceiling.)**
2. Clean your fan periodically to help maintain its new appearance over the years. Use only a soft brush or lint-free cloth to avoid scratching the finish. The plating is sealed with a lacquer to minimize discoloration or tarnishing. Do not use water when cleaning. This could damage the motor, or the wood, or possibly cause an electrical shock.
3. You can apply a light coat of furniture polish to the wood blades for additional protection and enhanced beauty. Cover small scratches with a light application of shoe polish.
4. **There is no need to oil your fan.** The motor has permanently lubricated bearings.

**IMPORTANT**  
MAKE SURE THE POWER IS OFF AT THE ELECTRICAL PANEL BOX BEFORE YOU ATTEMPT ANY REPAIRS. REFER TO THE SECTION "MAKING ELECTRICAL CONNECTIONS"

## 9. Care of Your Fan

## **Problem**

## **Solution**

Fan will not start.

1. Check circuit fuses or breakers.
2. Check line wire connections to the fan and switch wire connections in the switch housing.  
**CAUTION:** Make sure main power is off.

Fan sounds noisy.

1. Make sure all motor housing screws are snug.
2. Make sure the screws that attach the fan blade bracket to the motor hub is tight.
3. Make sure wire nut connections are not rubbing against each other or the interior wall of the switch housing.  
**CAUTION:** Make sure main power is off.
4. Allow a 24-hour "breaking-in" period. Most noise associated with a new fan disappear during this time.
5. If using an optional light kit, make sure the screws securing the glassware are tight. Check that light bulb is also secure.
6. Make sure the upper canopy is a short distance from the ceiling. It should not touch the ceiling.

Remote control  
malfunction

1. Do not connect the fan with wall mounted variable speed control (s).

*Troubleshooting 10.*

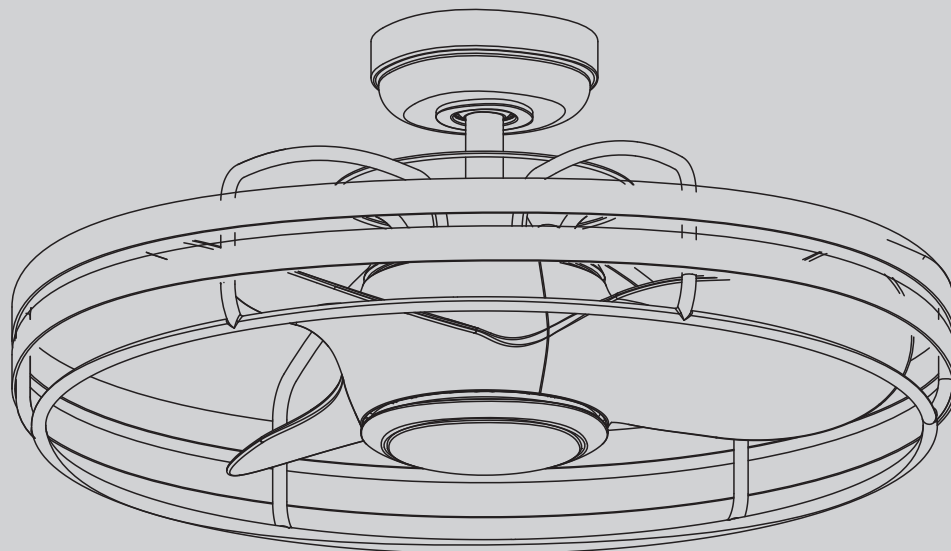
<b>Fan Size</b>	<b>Speed</b>	<b>Volts</b>	<b>Amps</b>	<b>Watts</b>	<b>RPM</b>	<b>CFM</b>	<b>N.W.</b>	<b>G.W.</b>	<b>C.F.</b>
<b>52"</b>	<b>Low</b>	<b>120</b>	<b>0.09</b>	<b>5.39</b>	<b>135</b>	<b>672.90</b>	<b>15.87 lbs</b>	<b>20.72 lbs</b>	<b>4.63'</b>
	<b>High</b>	<b>120</b>	<b>0.13</b>	<b>14.97</b>	<b>288</b>	<b>1506.23</b>			

These are approximate measures. They do not include Amps and Wattage used by the light kit.

©2022 Progress Lighting, Inc.  
701 Millennium Blvd.,  
Greenville, SC 29607  
All Rights Reserved

## *11. Specifications*

## Manual de instalación del ventilador de techo



# Garantía Limitada Vitalicia

Los motores de ventilador tienen una garantía sin defectos eléctricos y/o mecánicos para el comprador original durante el tiempo que el comprador original sea propietario del ventilador. Los interruptores de cordón o cadena, los interruptores de inversión, los condensadores y los acabados metálicos están garantizados como libres de defectos en los materiales o en la mano de obra durante un período de 1 año a partir de la fecha de compra. La deformación de las aspas de madera o plástico no está cubierta por esta garantía, ni tampoco la corrosión y/o el deterioro de los acabados de los ventiladores instalados a menos de diez millas de cualquier costa marítima. Es posible que se apliquen garantías ampliadas para los productos calificados como ENERGY STAR®.

Los ventiladores Progress Lighting de techo con fuentes de luz LED incorporadas, cuando se instalan correctamente y en condiciones normales de uso, están garantizados contra defectos de materiales y mano de obra que hagan que las fuentes de luz no funcionen de acuerdo con las especificaciones durante (i) cinco (5) años a partir de la fecha de compra en los módulos de luz LED y los componentes eléctricos para los ventiladores utilizados en residencias unifamiliares, y (ii) tres (3) años a partir de la fecha de compra en los módulos de luz LED y los componentes eléctricos para ventiladores utilizados en aplicaciones multi-familiares o comerciales. Las bombillas LED suministradas por Progress Lighting no tienen más garantía que la del fabricante. Las bombillas no LED no están cubiertas por la garantía.

Con la prueba de compra, el comprador original puede devolver el ventilador defectuoso al lugar de compra durante los primeros 30 días para su sustitución. El comprador original DEBE ponerse en contacto con Progress Lighting al (864) 678-1000, después de 30 días, para la reparación o el reemplazo que se determinará a la entera discreción de Progress Lighting y será el único y exclusivo recurso del comprador.

No se incluye la mano de obra ni el envío. Los gastos de mano de obra (incluidos, entre otros, los honorarios del electricista) necesarios para instalar, desmontar o reparar un ventilador o cualquier pieza del mismo no están cubiertos por esta garantía.

Esta garantía no se aplicará a ninguna pérdida o daño resultante de (i) el desgaste normal o la alteración, el mal uso, el abuso o la negligencia, o (ii) la instalación, el funcionamiento, la reparación o el mantenimiento inadecuados por parte del comprador original o de un tercero, incluyendo, sin limitación, el suministro de voltaje inadecuado o la subida de tensión, el uso de piezas o accesorios inadecuados, la reparación no autorizada (realizada o intentada) o la falta de mantenimiento del ventilador.

LAS GARANTÍAS ANTERIORES ESTABLECEN LA OBLIGACIÓN DE GARANTÍA COMPLETA DE PROGRESS LIGHTING Y EL ÚNICO Y EXCLUSIVO RECURSO DEL COMPRADOR ORIGINAL EN RELACIÓN CON DICHS PRODUCTOS. PROGRESS LIGHTING NO SE HACE RESPONSABLE DE LOS DAÑOS (INCLUIDOS AQUELLOS INDIRECTOS, ESPECIALES, INCIDENTALES O DERIVADOS), DEBIDOS A FALLOS DEL PRODUCTO, YA SEAN POR EL INCUMPLIMIENTO DE LA GARANTÍA, EL INCUMPLIMIENTO DEL CONTRATO U OTRO MOTIVO. ESTA GARANTÍA SE OTORGA EN LUGAR DE TODAS LAS DEMÁS GARANTÍAS, YA SEAN EXPRESAS O IMPLÍCITAS, INCLUIDAS LAS DE COMERCIABILIDAD, IDONEIDAD PARA UN FIN DETERMINADO O NO INFRACCIÓN.

Algunos estados no permiten la limitación de la duración de una garantía implícita o la exclusión o limitación de los daños incidentales o consecuentes, por lo que las limitaciones y exclusiones anteriores pueden no aplicarse en su caso. Esta garantía otorga derechos específicos, que junto a otros derechos, pueden variar de un estado a otro.

Fecha de compra \_\_\_\_\_

Compra realizada en la tienda \_\_\_\_\_

Nº. de modelo \_\_\_\_\_ P250096

Nº. de serie \_\_\_\_\_

Nº. de proveedor \_\_\_\_\_ 126900

785247266654

785247266661

UPC  785247266678





Normas de seguridad.....	1.
Desembalando el ventilador .....	2.
Instalación del ventilador .....	3.
Manejo del transmisor.....	8.
Cuidados del ventilador .....	9.
Solución de problemas .....	10.
Especificaciones .....	11.

*Índice*

1. Para reducir el riesgo de descarga eléctrica, asegúrese de que la electricidad ha sido desconectada en el interruptor principal o la caja de fusibles antes de comenzar.
2. El cableado debe cumplir el Código Eléctrico Nacional y los códigos eléctricos locales. La instalación eléctrica debe ser realizada por un electricista calificado con licencia.
3. **ADVERTENCIA:** Para reducir el riesgo de descarga eléctrica e incendio, no utilice este ventilador con ningún dispositivo de control de velocidad del ventilador de estado sólido.
4. **ADVERTENCIA:** Para reducir el riesgo de incendio, descarga eléctrica o lesiones personales, monte una caja de distribución marcada como "Aceptable para el soporte del ventilador de 15,9 kg (35 lbs.) O menos" y utilice los tornillos de montaje proporcionados con la caja de distribución. La mayoría de las cajas de distribución comúnmente utilizadas para el soporte de lámparas no son aceptables para el soporte del ventilador y es posible que deban reemplazarse. Debido a la complejidad de la instalación de este ventilador, se recomienda enfáticamente la intervención de un electricista autorizado y calificado.
9. Preste atención al trabajar alrededor o limpiar el ventilador para evitar lesiones personales o daños al ventilador y a otros elementos.
10. No utilice agua ni detergentes para limpiar el ventilador o las aspas. Un paño seco o ligeramente humedecido será adecuado para la mayoría de las limpiezas.
11. Tras conectar las conexiones eléctricas, los conductores empalmados deben ser girados hacia arriba y empujados cuidadosamente hacia la caja de distribución. Los cables deben estar separados con el conductor de conexión a tierra y el conductor de conexión a tierra del equipo en un lado de la caja de distribución.
12. Los diagramas eléctricos son sólo para referencia. Los kits de iluminación que no están empacados con el ventilador deben estar homologada por UL y marcados como adecuados para usar con el modelo de ventilador instalando. Los interruptores deben ser interruptores UL de uso general. Consulte las instrucciones que acompañan a los kits de iluminación

#### **ADVERTENCIA**

PARA REDUCIR EL RIESGO DE INCENDIO, DESCARGA ELÉCTRICA O LESIONES PERSONALES, MONTE EL VENTILADOR EN UNA CAJA DE DISTRIBUCIÓN INDICADA COMO ACEPTABLE PARA EL SOPORTE DEL VENTILADOR.

#### **ADVERTENCIA**

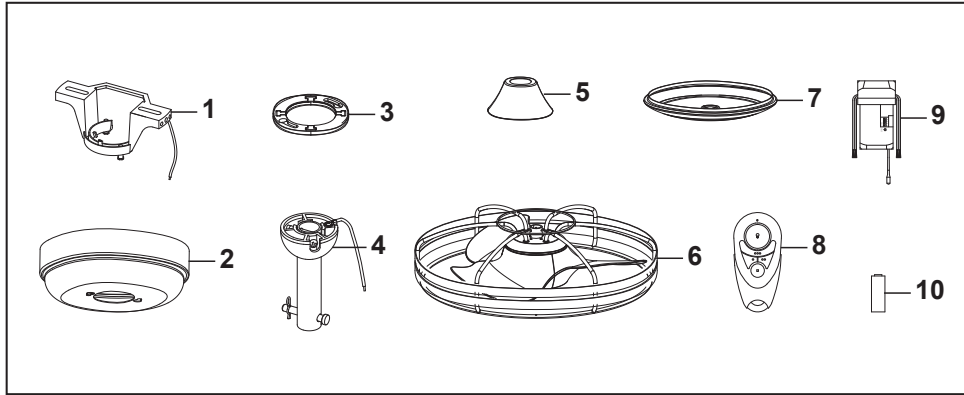
PARA REDUCIR EL RIESGO DE LESIONES PERSONALES, NO DOBLE LOS BRAZOS DE LAS ASPAS (TAMBIÉN LLAMADOS SOPORTES) DURANTE EL MONTAJE O DESPUÉS DE LA INSTALACIÓN. NO INTERPONGA OBJETOS EN LA TRAYECTORIA DE LAS ASPAS.

5. La caja de salida y la estructura de soporte deben estar montadas de forma segura y ser capaces de soportar de forma fiable un mínimo de 35 libras (15,9 kg) o menos. Utilice únicamente cajas de distribución con certificación UL marcadas como **SOPORTE DEL VENTILADOR**.
6. El ventilador debe montarse con un espacio mínimo de 2,1 m desde el borde de salida de las aspas hasta el suelo.
7. Para usar la función reversa en este ventilador, active el interruptor de reversa en la posición opuesta. No accione el interruptor de inversión mientras las aspas del ventilador estén en movimiento. El ventilador debe estar apagado y las aspas detenidas antes de invertir la dirección de las aspas.
8. Evite colocar objetos en la trayectoria de las aspas.

#### **AVISO IMPORTANTE**

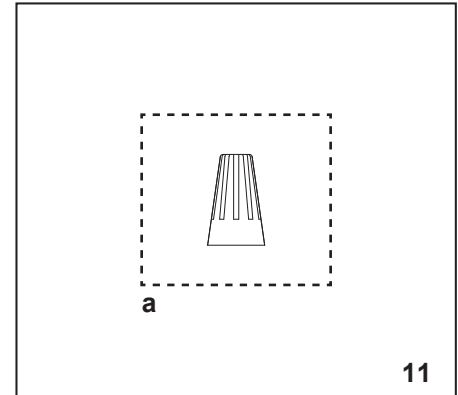
¡LEA Y GUARDE ESTAS INSTRUCCIONES DE USO!

# *1. Normas de seguridad*



Desembale su ventilador y compruebe el contenido. Debe disponer de los siguientes componentes:

- |                                   |   |
|-----------------------------------|---|
| 1. Soporte de suspensión          | 6. Conjunto del motor del ventilador                    |
| 2. Florón                         | 7. Cubierta decorativa                                  |
| 3. Florón superior                | 8. Transmisor con soporte incl. + 1 tornillo de montaje |
| 4. Conjunto bola/tija descendente | 9. Receptor con 5 empalmes plásticos                    |
| 5. Cubierta de acoplamiento       | 10. Batería de 12V 23A                                  |



11. Bolsa de piezas sueltas que contiene:

- a. Herrajes/partes del montaje  
Empalmes plásticos (4)**

*Desembalando el ventilador 2.*

## Herramientas necesarias

Destornillador Phillips, destornillador de ranura recta, llave inglesa, escalera de mano y corta alambres.

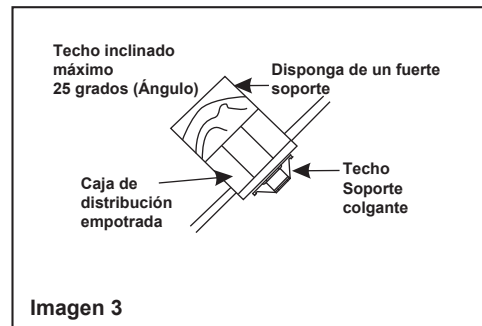
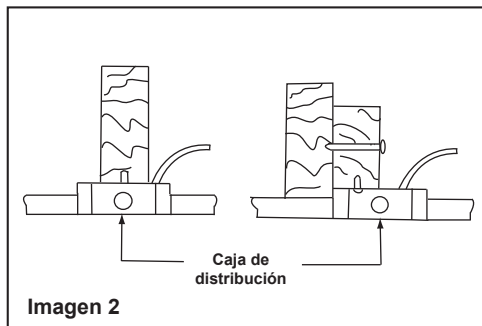
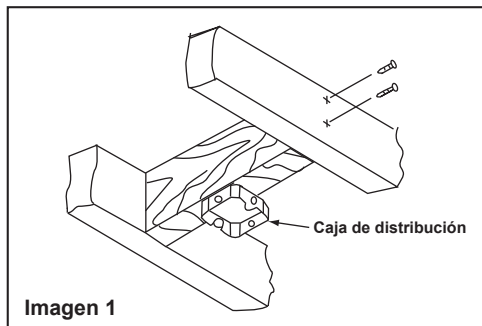
## Opciones de montaje

Si no existe una caja de montaje homologada por UL, lea las siguientes instrucciones. Desconecte la corriente eléctrica quitando los fusibles o apagando los disyuntores.

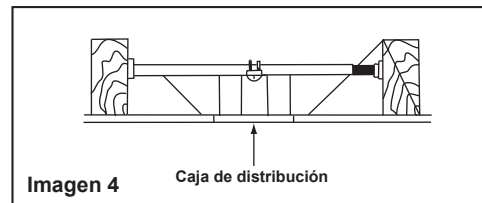
Asegure la caja de distribución directamente a la estructura del edificio. Utilice elementos de fijación y materiales de construcción adecuados. La caja de distribución y su soporte deben ser capaces de soportar completamente el peso en movimiento del ventilador (al menos 18,88 Kg). No utilice cajas de distribución de plástico.

### ADVERTENCIA

PARA REDUCIR EL RIESGO DE INCENDIO, DESCARGA ELÉCTRICA U OTRAS LESIONES PERSONALES, MONTE EL VENTILADOR SÓLO EN UNA CAJA DE DISTRIBUCIÓN INDICADA COMO ACEPTABLE PARA EL SOPORTE DEL VENTILADOR Y UTILICE LOS TORNILLOS DE MONTAJE SUMINISTRADOS CON LA CAJA DE DISTRIBUCIÓN. LAS CAJAS DE TOMA DE CORRIENTE COMÚNMENTE UTILIZADAS PARA EL SOPORTE DE ACCESORIOS DE ILUMINACIÓN PUEDEN NO SER ACEPTABLES PARA EL SOPORTE DEL VENTILADOR Y PUEDEN NECESITAR SER REEMPLAZADAS. CONSULTE A UN ELECTRICISTA CUALIFICADO EN CASO DE DUDA.



**Aviso:** Puede que necesite una tija descendente más larga para mantener la distancia adecuada de la aspa cuando se instala en un techo empinado e inclinado.



Para colgar el ventilador donde hay una luminaria existente, pero no hay viga de techo, puede necesitar una barra de suspensión de instalación como se muestra en la imagen 4 (disponible en tu distribuidor de Progress Lighting).

## 3. Cómo instalar el ventilador

# Instalación del ventilador en el techo

**RECUERDE** desconectar la alimentación. Siga los siguientes pasos para colgar su ventilador correctamente:

**Paso 1.** Pase los cables de alimentación de 120 voltios a través del orificio central del soporte de suspensión del techo, como se muestra en la Fig. 5.

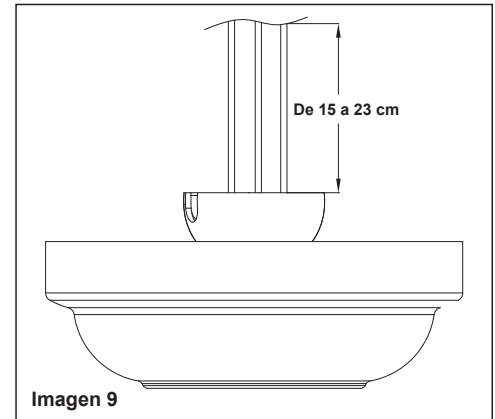
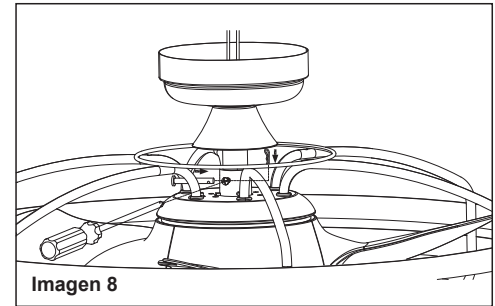
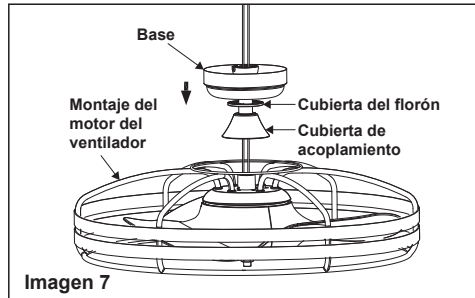
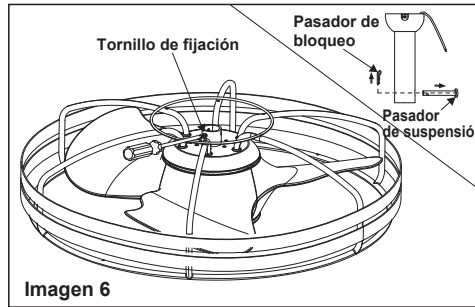
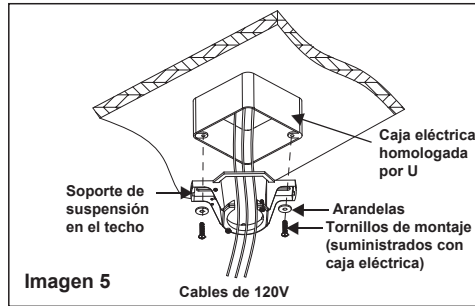
**Paso 2.** Fije el soporte de suspensión a la caja de salida del techo con los tornillos y las arandelas suministrados con su caja de salida.

**Paso 3.** Retire el pasador de suspensión, el pasador de bloqueo y los tornillos de fijación de la parte superior del conjunto del motor. (Fig. 6)

**Paso 4.** Dirija los cables que salen de la parte superior del motor del ventilador a través de la cubierta de acoplamiento, la cubierta del florón, la marquesina y luego a través de la varilla de bajada. (Imagen 7)

**ADVERTENCIA**  
SI NO SE INSTALA CORRECTAMENTE EL PASADOR DE BLOQUEO COMO SE INDICA EN EL PASO 5 PUEDE PROVOCAR QUE EL VENTILADOR SE AFLOJE Y POSIBLEMENTE SE CAIGA.

**Paso 5.** Introduzca con cuidado el pasador de suspensión a través de los orificios del collarín y de la varilla de bajada. Tenga cuidado de no atascar el pasador contra el cableado dentro de la varilla de bajada. Inserte el pasador de bloqueo a través del orificio cerca del extremo del pasador de suspensión hasta que encaje en su posición de bloqueo, y apriete los tornillos de fijación como se muestra en la imagen 8.



**Paso 6.** Corte el exceso de cables dejando aproximadamente de 15 a 23 cm por encima del conjunto de bola de suspensión/varilla de bajada. (Imagen 9)

**Paso 7.** Levante con cuidado el conjunto y apoye la bola de suspensión del conjunto de la barra de bajada en el soporte de suspensión fijado a la caja de salida. Asegúrese de que la ranura de la bola de suspensión esté alineada con la lengüeta del soporte de suspensión. (Fig. 10)

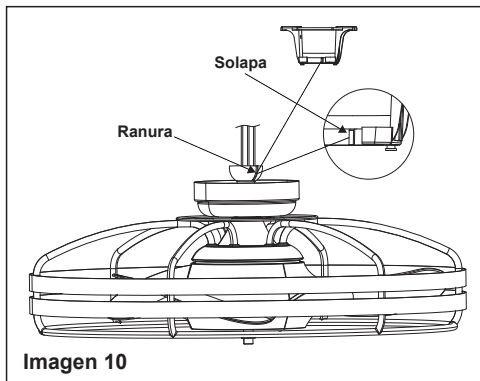


Imagen 10

## Conexiones eléctricas

**ADVERTENCIA:** Para evitar posibles descargas eléctricas, antes pasar al cableado, asegúrese de que la electricidad de la casa está desconectada. Mire en la caja de fusibles principal.

**ADVERTENCIA:** El ventilador debe instalarse a una distancia máxima de 6 metros de la unidad transmisora para una correcta transmisión de la señal entre la unidad transmisora y la unidad receptora del ventilador. Si cree que no tiene suficientes conocimientos o experiencia en el cableado eléctrico, encargue la instalación de su ventilador a un electricista autorizado.

**Paso 1.** Conexiones eléctricas del motor al receptor: Conecte el cable negro del ventilador al cable negro del receptor. Conecte el cable blanco del ventilador al cable blanco del receptor. (Imagen 11)

**Paso 2.** Conexiones eléctricas del receptor a los cables de alimentación de la casa: Conecte el cable negro (caliente) del techo al cable negro marcado "AC IN L" del receptor. Conecte el cable blanco (neutro) del techo al cable blanco marcado "AC IN N" del receptor. (Imagen 11)

**Paso 3.** Conexión de los cables a la toma de tierra: Conecte el cable de TIERRA de la casa a los cables VERDES del conjunto del motor y de la placa de montaje. (Imagen 11)  
Asegure todas las conexiones de los cables con las tuercas de plástico suministradas.

**Paso 4.** Coloque el receptor en el soporte de suspensión y manténgalo plano contra el techo. (Fig. 12)

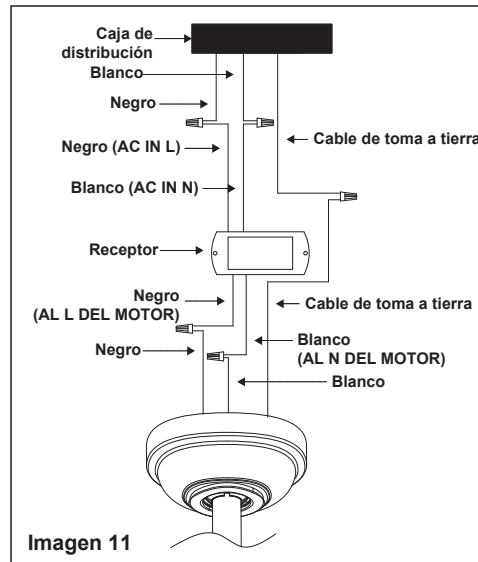


Imagen 11

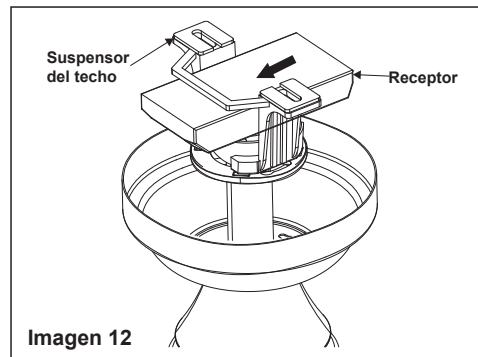


Imagen 12

## Finalizando la instalación

**Paso 1.** Coloque las conexiones de forma ordenada en la caja de salida del techo.

**Paso 2.** Deslice la base hasta el soporte de montaje y coloque el orificio de la llave en la base sobre el tornillo del soporte de montaje, gire la base hasta que se bloquee en la sección estrecha de los orificios de la llave. (Fig. 13)

**Paso 3.** Alinee el orificio circular de la base con el orificio restante del soporte de montaje, fíjelo apretando los dos tornillos de fijación. Nota: Ajuste los tornillos de la base según sea necesario hasta que la base y su cubierta estén bien ajustadas.

### ADVERTENCIA

Asegúrese de que la muesca del soporte de suspensión se asienta correctamente en la ranura de la bola de suspensión antes de fijar la base en el soporte girando la carcasa hasta que caiga en su sitio.

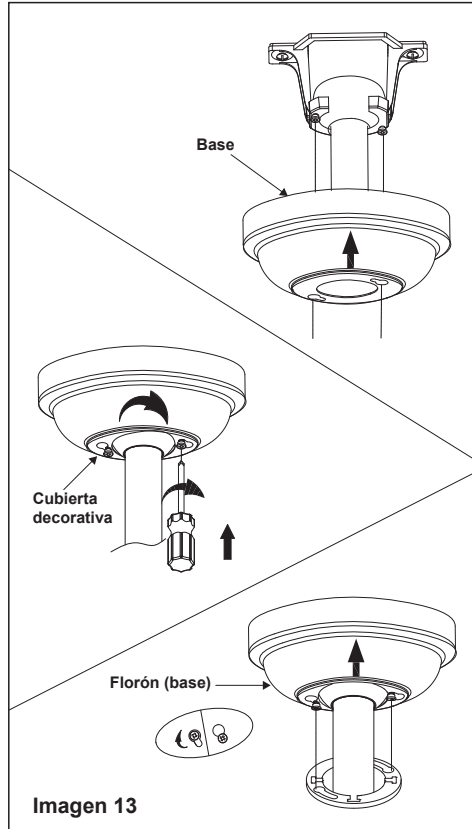


Imagen 13

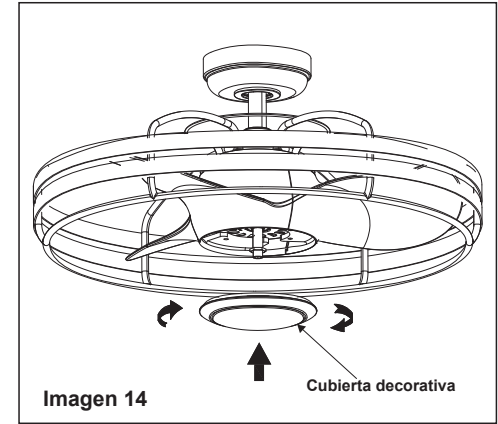


Imagen 14

**Paso 4.** Fije la cubierta decorativa al conjunto del motor del ventilador girando en el sentido de las agujas del reloj. No apriete demasiado. (Imagen 14)

## Equilibrado de las aspas

Todas las aspas están agrupadas por peso. Debido a que las maderas naturales varían en densidad, el ventilador puede tambalearse aunque las aspas tengan el mismo peso.

El siguiente procedimiento debería corregir la mayoría de los problemas de bamboleo del ventilador. Verifique cada paso.

1. Compruebe que todos los tornillos de las aspas y de los brazos de las aspas estén bien sujetos.
2. La mayoría de los problemas de bamboleo del ventilador son causados cuando los niveles de las aspas son desiguales. Compruebe este nivel seleccionando un punto en el techo por encima de la punta de una de las aspas. Mida esta distancia como se muestra en la imagen 15. Gire el ventilador hasta que el siguiente aspa esté posicionada para la medición. Repítalo en cada aspa. La desviación de la distancia debe ser igual a un rango de 3,175 mm.
3. Si el balanceo de las aspas sigue siendo perceptible, puede intercambiar dos aspas adyacentes (una al lado de la otra) para redistribuir el peso con más agilidad.

### ADVERTENCIA

PARA REDUCIR EL RIESGO DE LESIONES PERSONALES, NO DOBLE LOS SOPORTES DE LAS ASPAS AL INSTALAR, EQUILIBRAR LAS ASPAS O LIMPIAR EL VENTILADOR. NO INTERPONGA OBJETOS EXTRAÑOS ENTRE LAS ASPAS GIRATORIAS DEL VENTILADOR.

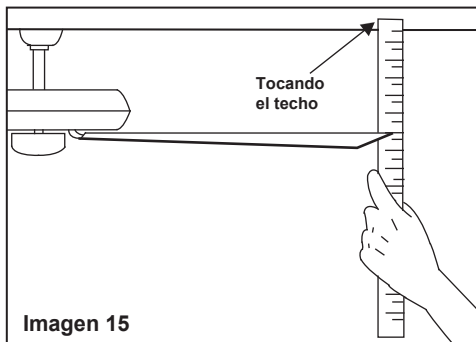


Imagen 15



**ADVERTENCIA** - Si se utiliza algún dispositivo de control especial con este aparato, siga cuidadosamente las instrucciones para garantizar el pleno cumplimiento de los requisitos de la N.E.C. Si tiene alguna duda, póngase en contacto con un electricista cualificado. **PRECAUCIÓN** - Todo el cristal es frágil, tenga cuidado al manipular los componentes de cristal y las lámparas.

Este mando a distancia está diseñado para controlar la velocidad del ventilador de techo y el brillo de la luz por separado.

Hay cuatro botones para controlar la velocidad del ventilador y el apagado. . . . .

■ Botón para controlar las luces

El botón de la luz encenderá las luces y las atenuará al máximo.El indicador verde del transmisor se ilumina cuando se pulsa el botón.

## INSTRUCCIONES DE INSTALACIÓN Y FUNCIONAMIENTO

### 1. AJUSTE DEL CÓDIGO

Esta unidad tiene 16 combinaciones de códigos diferentes. Para ajustar el código, siga estos pasos

#### A. Ajuste del código en el transmisor.

- Retire la tapa de la batería. Presione firmemente debajo de la flecha y deslice la tapa de la batería hacia afuera.
- Deslice los interruptores de código a su elección de posición arriba o abajo. El ajuste de fábrica es todo hacia arriba. No utilice esta posición. Utilice un pequeño destornillador o un bolígrafo para deslizar firmemente hacia arriba o hacia abajo (Imagen 16-1).

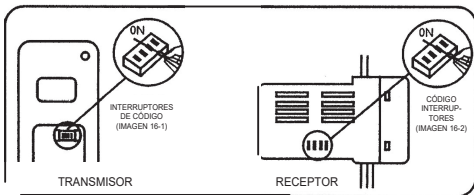
#### B. Ajuste del código en el receptor.

- Deslice los interruptores de código a las mismas posiciones del transmisor
- Vuelva a colocar la tapa de la batería en el transmisor. (Imagen 16-2).

### 2. INSTALACIÓN DEL RECEPTOR EN EL VENTILADOR DE TECHO

#### A. Precauciones de seguridad:

- ADVERTENCIA: ¡ALTA TENSIÓN!**
- No utilice el control de velocidad del ventilador de estado sólido o el control de pared del regulador de luz.
- El cableado eléctrico debe cumplir todos los requisitos de los códigos eléctricos locales y nacionales.
- La fuente eléctrica y el ventilador deben tener un voltaje de 115/120 y 60Hz. Amperios máximos del motor del ventilador: 1,0.Vatios máximos de luz: 300W (incandescente)
- ¡La energía eléctrica doméstica puede causar lesiones graves o la muerte!



#### B. Instalación del receptor en el ventilador:

- Desconecte la electricidad en el panel del disyuntor principal antes de comenzar la instalación.
- Retire el dosel del ventilador de techo del soporte de montaje
- Desconecte el cableado existente entre el ventilador de techo y el suministro en la caja de conexiones eléctricas.
- Realice las conexiones como se indica a continuación, utilizando las tuercas para cables suministradas:  
 Conecte el cable NEGRO de la unidad de control al cable NEGRO de suministro (AC a Línea).  
 Conecte el cable BLANCO de la unidad de control al cable BLANCO de suministro (AC a Neutro)  
 Conecte el cable BLANCO de la unidad de control (MOTOR N) al cable BLANCO de alimentación.  
 Conecte el cable NEGRO de la unidad de control (MOTOR L) al cable NEGRO del ventilador.  
 Conecte el cable azul de la unidad de control (para la luz) al cable azul de la luz.  
 Si otros cables del ventilador o del suministro son de diferente color, haga que esta unidad sea instalada por un electricista cualificado.
- Empuje todos los cables conectados hacia arriba en la caja de conexiones.
- Coloque el cable negro de atea encima del receptor y ponga el receptor en el soporte de montaje.
- Vuelva a colocar la tapa en el soporte de montaje.
- Restablezca la alimentación eléctrica.

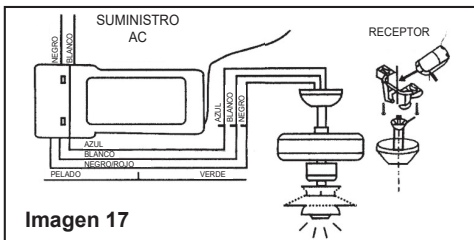


Imagen 17

#### ATENCIÓN:

No utilice el control de velocidad en el soporte de montaje que no se describe en la imagen 17.

### 3. FUNCIONAMIENTO DEL TRANSMISOR:

- Ponga la batería de 12 voltios (incluida). Para evitar que se dañe el transmisor, retire la batería si no se utiliza durante un período prolongado.
  - Guarde el transmisor lejos del exceso de calor o humedad.
  - Este mando a distancia está equipado con 16 combinaciones de códigos para evitar posibles interferencias con otros mandos a distancia, como abridores de puertas de garaje, alarmas de coche o sistemas de seguridad. Si encuentra que el ventilador y kit de luces se encienden y apagan sin usar su mando a distancia, simplemente cambie el código de combinación en su transmisor y receptor.
- D. Botones de funcionamiento en el panel del transmisor.

- . . . tecla para velocidad alta del ventilador.
- . . tecla para velocidad media del ventilador.
- . tecla para velocidad baja del ventilador.
- tecla para velocidad del ventilador o apagado.
- 💡 tecla para encender las luces y mantenerla pulsada para atenuarlas
- 🔄 tecla para invertir el sentido de giro del ventilador (si el ventilador tiene receptor de inversión)\*

La función de las luces se controla pulsando la 💡 tecla. Mantenga la tecla Mantenga pulsada la tecla para aumentar o disminuir la luz. apagar o encender la luz. Si se mantiene pulsado el botón durante más de 0,7 segundos, se vuelve más tenue, la luz varía cíclicamente en 0,8 segundos.

\* El ventilador debe estar funcionando a cualquier velocidad antes de pulsar el botón de "inversión"

#### E. Función de memoria:

Al apagar el ventilador o la luz con el mando de pared, se memorizan y se recupera automáticamente a la última velocidad del ventilador y/o la luz apagada

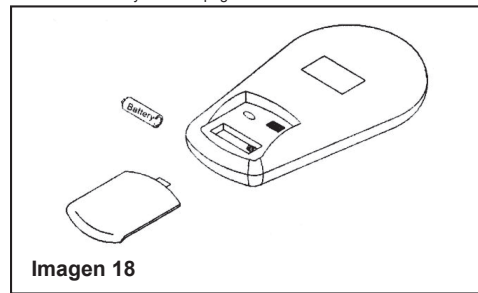


Imagen 18

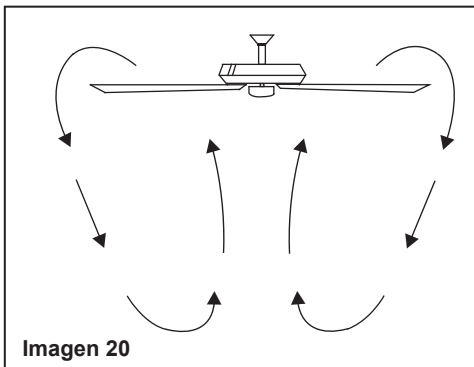
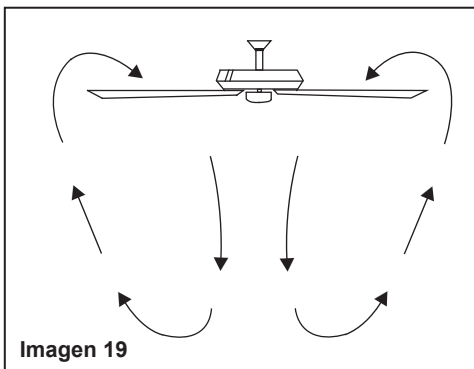
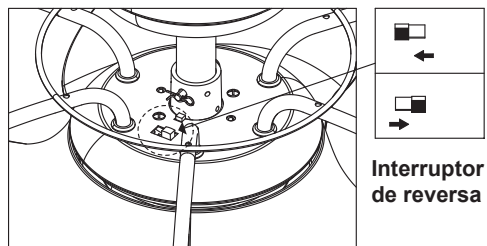
# Manejo del transmisor 8.

Los ajustes de velocidad para clima cálido o frío dependen de factores como el tamaño de la habitación, la altura del techo, el número de ventiladores, etc.

**NOTA:** para usar la función inversa en este ventilador, active el interruptor de inversión a la posición opuesta. No accione el interruptor de inversión mientras las aspas del ventilador estén en movimiento. El ventilador debe estar apagado y las aspas detenidas antes de invertir la dirección de las aspas.

Tiempo cálido - (Hacia adelante) Un corriente de aire hacia abajo crea un efecto de enfriamiento como se muestra en la imagen 19. Esto le permite poner el aire acondicionado en un ajuste más cálido sin afectar su comodidad.

Tiempo frío - (Hacia atrás) Una corriente de aire ascendente desplaza el aire caliente de la zona del techo como se muestra en la imagen 20. Esto le permite poner la unidad de calefacción en un ajuste más frío sin afectar a su comodidad.



A continuación le ofrecemos algunas sugerencias para ayudarle a mantener su ventilador.

1. Debido al movimiento natural del ventilador, algunas conexiones pueden aflojarse. **Revise las conexiones del soporte, los soportes y las fijaciones de las aspas dos veces al año.** Asegúrese de que está todo bien firme. **(No es necesario retirar el ventilador del techo.)**

2. Limpie su ventilador periódicamente para ayudar a mantener un aspecto nuevo a lo largo de los años. Utilice sólo un cepillo suave o un paño sin pelusas para evitar rayar el acabado. El chapado está sellado con una laca para minimizar la decoloración o el deslustre. No utilice agua para limpiar el ventilador. Esto podría dañar el motor, o la madera, o posiblemente causar una descarga eléctrica.

3. Puede aplicar una ligera capa de cera para muebles a las aspas de madera para obtener una protección adicional y una mayor belleza. Cubra los pequeños arañazos con una ligera aplicación de betún para zapatos.

4. **No es necesario engrasar el ventilador.** El motor tiene rodamientos permanentemente lubricados.

**AVISO IMPORTANTE**  
ASEGÚRESE DE QUE LA ENERGÍA ESTÁ  
DESCONECTADA EN LA CAJA DE  
CONTROLES ELÉCTRICO ANTES DE  
INTENTAR CUALQUIER REPARACIÓN.  
CONSULTE LA SECCIÓN "CÓMO HACER  
LAS CONEXIONES ELÉCTRICAS"

## 9. Cuidados del ventilador

## Problema

## Solución

El ventilador no se enciende.

1. Revise los fusibles o los disyuntores del circuito.
2. Revise las conexiones de los cables del ventilador y las conexiones de los cables del interruptor en la carcasa del interruptor.  
**PRECAUCIÓN:** Asegúrese de que la alimentación principal está desconectada.

El ventilador hace ruido.

1. Asegúrese de que todos los tornillos de la carcasa del motor estén bien ajustados.
2. Asegúrese de que los tornillos que unen el soporte de aspas del ventilador al cuerpo del motor están bien ajustadas.
3. Asegúrese de que las conexiones de tuerca de cable no choquen unas con otras o con la pared interior de la caja del interruptor.  
**PRECAUCIÓN:** Asegúrese de que la alimentación principal está desconectada.
4. Póngalo o déjelo en funcionamiento durante 24 horas. La mayoría de los ruidos asociados a un nuevo ventilador desaparecen durante este tiempo.
5. Si utiliza un kit de iluminación opcional, asegúrese de que los tornillos que aseguran la cristalería estén bien apretados. Compruebe que la bombilla también está asegurada.
6. Asegúrese de que el florón superior esté a una corta distancia del techo. Pero no debe tocar el techo.

Mal funcionamiento del mando a distancia

1. No conecte el ventilador con el control de velocidad variable montado en la(s) pared(es).

*Solución de problemas 10.*

<b>Tamaño del ventilador</b>	<b>Velocidad</b>	<b>Voltios</b>	<b>Amperios</b>	<b>Vatios</b>	<b>RPM</b>	<b>PCM</b>	<b>P.N.</b>	<b>P.B.</b>	<b>M<sup>3</sup></b>
<b>52"</b>	<b>Baja</b>	<b>120</b>	<b>0,09</b>	<b>5,39</b>	<b>135</b>	<b>672,90</b>	<b>7,20 kg</b>	<b>9,40 kg</b>	<b>1,41</b>
	<b>Alta</b>	<b>120</b>	<b>0,13</b>	<b>14,97</b>	<b>288</b>	<b>1506,23</b>			

Estas son medidas aproximadas. No incluyen los amperios y vatios utilizados por el kit de iluminación.

©2022 Progress Lighting, Inc.  
701 Millennium Blvd.,  
Greenville, SC 29607  
Todos los derechos reservados

## *11. Especificaciones*