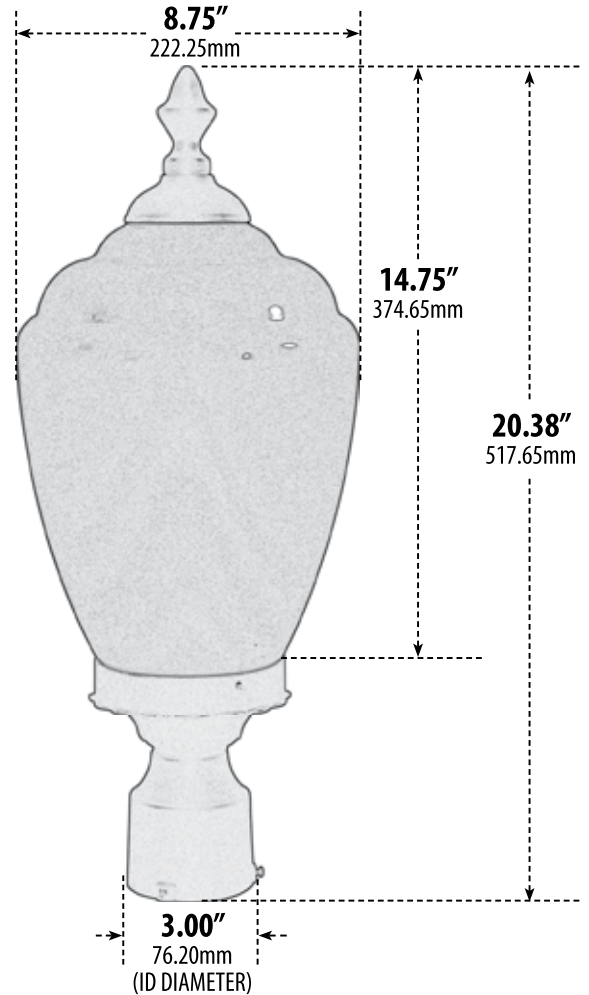


GM285

POST TOP FIXTURE



- ▶ **Material:** Powder Coated Cast Aluminum
- ▶ **Lens:** Acrylic
- ▶ **Available Finish:** Black, White, Verde Green
- ▶ **ETL Approved**

Overall Dimensions:
20.38"H x 8.75"W x 8.75"D

Weight: 1.6 lbs
Approximate Wire Length: 6"
Box Dimensions:
18.50"H x 10.00"W x 10.00"D

MODEL NUMBER	LAMP TYPE	ILLUMINANT TYPE	WATTS (W)	VOLTS (V)	LAMP(S) INCLUDED?
GM285**	A-Type	Incandescent	60	120	NO
GM286	S13-GU24	Fluorescent	13	120	YES
GM287	S26-GU24	Fluorescent	26	120	YES

**AVAILABLE IN 11W LED Add -LED11 to Model Number
**AVAILABLE IN 20W LED Add -LED20 to Model Number

DABMAR
LIGHTING

DABMAR LIGHTING INCORPORATED

2140 Eastman Ave . Oxnard, CA 93030 . 805.604.9090 . f: 805.604.9050 . www.dabmar.com