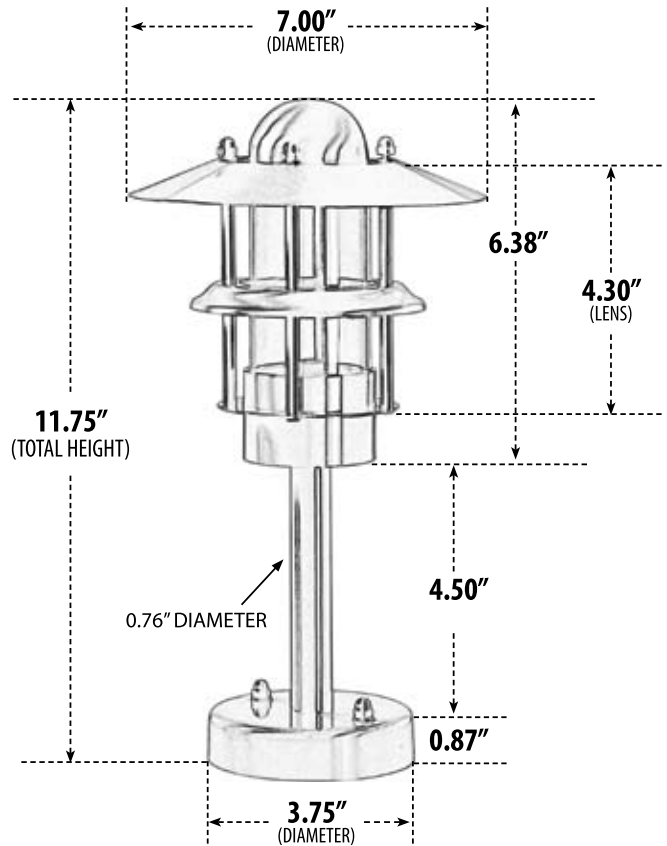


# LV39

## ACCENT DECK LIGHT



- ▶ **Material:** Stainless Steel
- ▶ **Lens:** Clear, Heat Resistant, Tempered Glass
- ▶ **Lamp:** JC Bi-Pin Base (20W Maximum)

MODEL NUMBER	LAMP TYPE	ILLUMINANT TYPE	WATTS (W)	VOLTS (V)	LAMP(S) INCLUDED?
LV39	JC	HALOGEN	20	12	YES
LV-LED39	JC-LED	LED	1.3	12	YES

Pre-wired with UL Listed Direct Burial Wire/Cable

- ▶ **Deck Mount**
- ▶ **Connector Available:** P-CN01 (sold separately) See page 89
- ▶ **Available Finish:** Stainless Steel
- ▶ **ETL Approved**

Overall Dimensions:  
11.75"H x 7.00"W x 7.00"D

Maximum Height: 11.75"  
Width: 7.00"  
Maximum Depth: 7.00"

Weight: 1.40 lbs  
Approximate Wire Length: 5.0"  
Box Dimensions:  
12.38"H x 7.00"W x 6.75"D

**DABMAR**  
LIGHTING

DABMAR LIGHTING INCORPORATED

2140 Eastman Ave . Oxnard, CA 93030 . 805.604.9090 . f: 805.604.9050 . www.dabmar.com