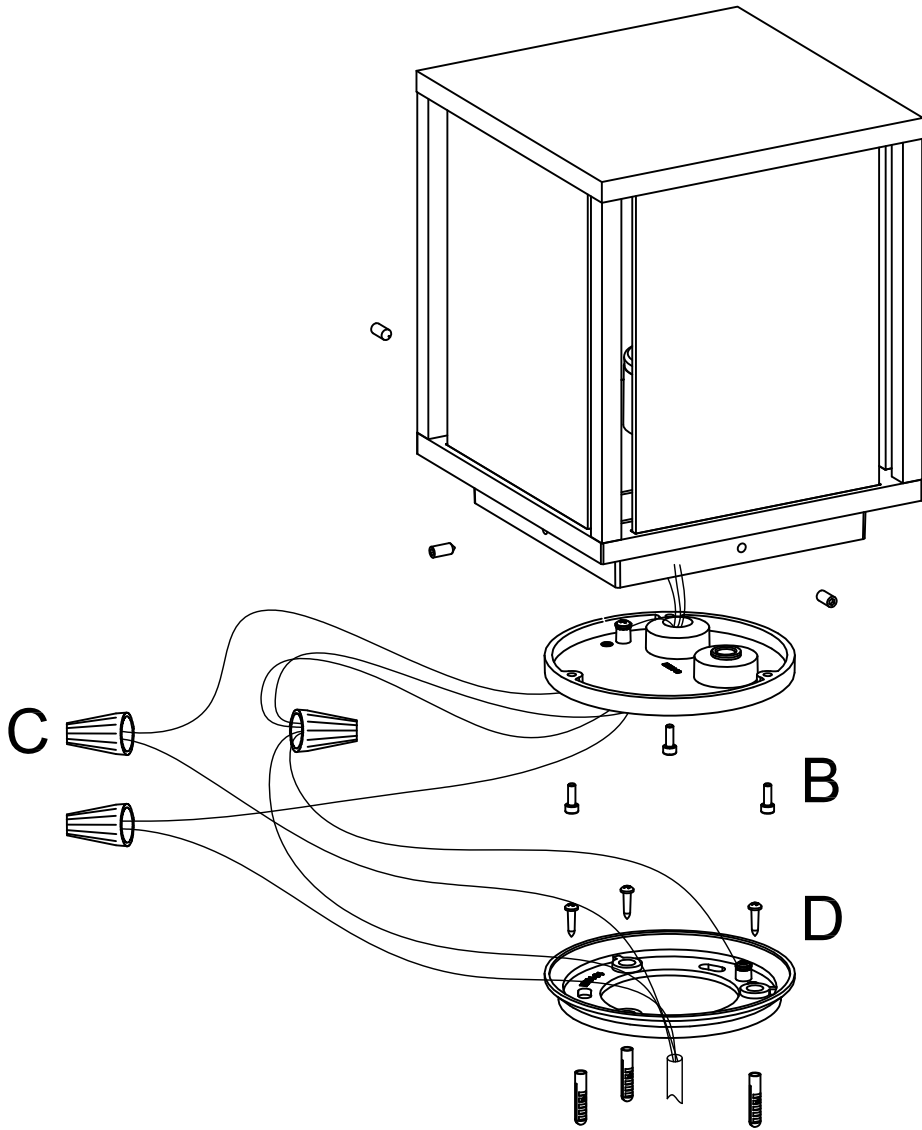
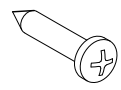





2279BZ



A

	x3
	x3
	x1
	x1