



READ THESE INSTRUCTIONS AND  
SAVE THEM FOR FUTURE USE



## Installation Guide

For Models:

BRC52AB5C  
BRC52BB5C  
BRC52WB5C  
BRC52WW5C

### Table of Contents:

Safety Tips. pg. 1  
Unpacking Your Fan. pg. 2  
Parts Inventory. pg. 2  
Installation Preparation. pg. 3  
Hanging Bracket Installation. pg. 3  
Preparation for Wiring. pg. 4  
Wiring. pg. 4  
Fan Assembly. pg. 5  
Motor Housing Assembly. pg. 5  
Blade Assembly. pg. 6  
Light Kit Assembly. pgs. 6 - 7  
Testing Your Fan. pg. 7  
Troubleshooting. pg. 8  
Parts Replacement. pg. 8  
Warranty. pg. 8



LISTED  
E124404

net fan weight: 16.53 lb. (7.5 kg)

PRINTED IN CHINA

## SAFETY TIPS.

**WARNING:** To reduce the risk of electrical shock, turn off the electricity to the fan at the main fuse box or circuit panel before you begin the fan installation or before servicing the fan or installing accessories.

1. **READ ALL INSTRUCTIONS AND SAFETY INFORMATION CAREFULLY BEFORE INSTALLING YOUR FAN AND SAVE THESE INSTRUCTIONS.**

**CAUTION:** To avoid personal injury, the use of gloves may be necessary while handling fan parts with sharp edges.

2. Make sure all electrical connections comply with Local Codes or Ordinances, the National Electrical Code, and ANSI/NFPA 70-1999. If you are unfamiliar with electrical wiring or if the house/building wires are different colors than those referred to in the instructions, please use a qualified electrician.
3. Make sure you have a location selected for your fan that allows clear space for the blades to rotate, and at least seven (7) feet (2.13 meters) of clearance between the floor and the fan blade tips. The fan should be mounted so that the tips of the blades are at least thirty (30) inches (76 centimeters) from walls or other upright structures.
4. The outlet box and ceiling support joist used must be securely mounted, and capable of supporting at least 35 pounds (16 kilograms). The box must be supported directly by the building structure. Use only UL listed outlet boxes marked "FOR FAN SUPPORT."

**WARNING:** To reduce the risk of fire, electrical shock, or personal injury, mount to the outlet box marked "Acceptable for Fan Support," and use the mounting screws provided with the outlet box. Most outlet boxes commonly used for the support of lighting fixtures are not acceptable for fan support and may need to be replaced. Consult a qualified electrician if in doubt.

**WARNING:** To reduce the risk of fire, electrical shock, or personal injury, wire connectors provided with this fan are designed to accept only one 12 gauge house wire and two lead wires from the fan. If your house wire is larger than 12 gauge or there is more than one house wire to connect to the two fan lead wires, consult an electrician for the proper size wire connectors to use.

5. Electrical diagrams are for reference only. Light kits that are not packed with the fan must be UL listed and marked suitable for use with the model fan you are installing. Switches must be UL general use switches. Refer to the instructions packaged with the light kits and switches for proper assembly.
6. After installation is complete, check that all connections are absolutely secure.
7. After making electrical connections, spliced conductors should be turned upward and pushed carefully up into the outlet box. The wires should be spread apart with the grounded conductor and the equipment-grounding conductor on opposite sides of the outlet box.

**WARNING:** To reduce the risk of fire or electrical shock, do not use this fan with any solid state speed control device or control fan speed with a full range dimmer switch. [Using a full range dimmer switch to control fan speed will cause a loud humming noise from fan.]

8. Do not operate the fan in reverse until fan has come to a complete stop.
9. Do not insert anything between the fan blades while they are rotating.

**WARNING:** To reduce the risk of personal injury, do not bend the blade arms during assembly or after installation. Do not insert objects into the path of the blades.

**WARNING:** To avoid personal injury or damage to the fan and other items, be cautious when working around or cleaning the fan.

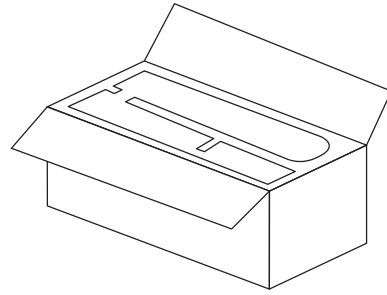
10. Do not use water or detergents when cleaning the fan or fan blades. A dry dust cloth or lightly dampened cloth will be suitable for most cleaning.

**WARNING:** To reduce the risk of personal injury, use **only** parts provided with this fan. **The use of parts OTHER than those provided with this fan will void the warranty.**

**NOTE:** The important safety precautions and instructions appearing in the manual are not meant to cover all possible conditions and situations that may occur. It must be understood that common sense and caution are necessary factors in the installation and operation of this fan.

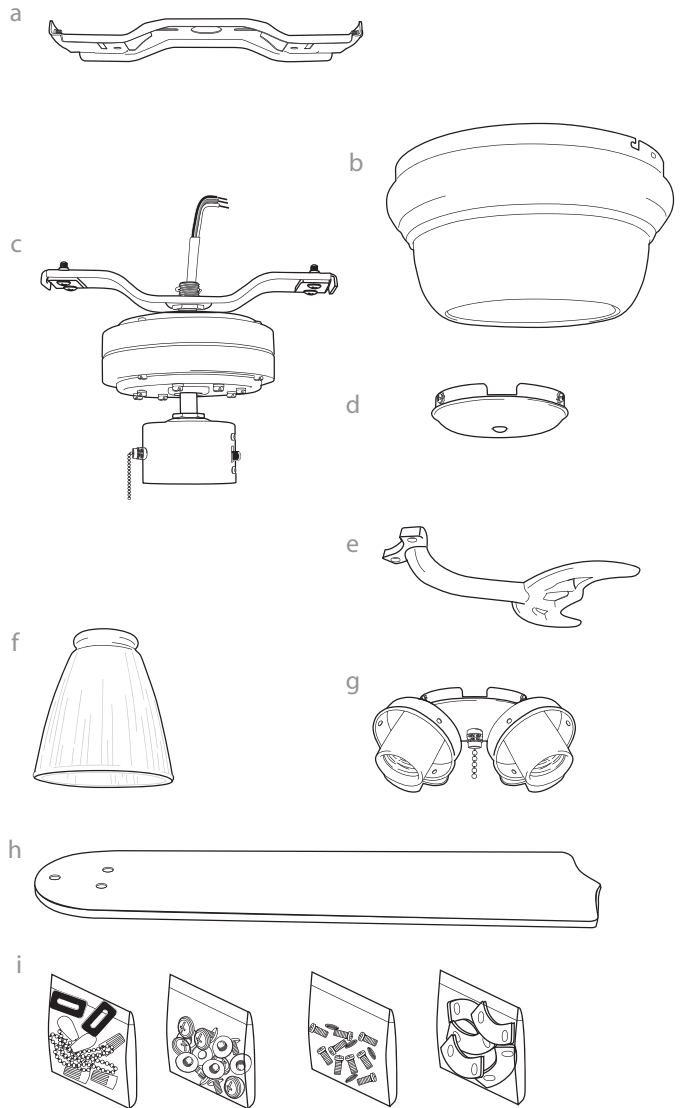
# 1. Unpacking Your Fan.

Carefully open the packaging. Remove items from Styrofoam inserts. Remove motor housing and place on carpet or Styrofoam to avoid damage to finish. Do not discard fan carton or Styrofoam inserts should this fan need to be returned for repairs. Check against parts inventory that all parts have been included.



# 2. Parts Inventory.

- a. hanging bracket. 1 piece
- b. motor housing. 1 piece
- c. motor assembly. 1 piece
- d. switch housing cap. 1 piece
- e. blade arm. 5 pieces
- f. glass shade. 4 pieces
- g. light kit fitter. 1 piece
- h. blade. 5 pieces
- i. hardware packs



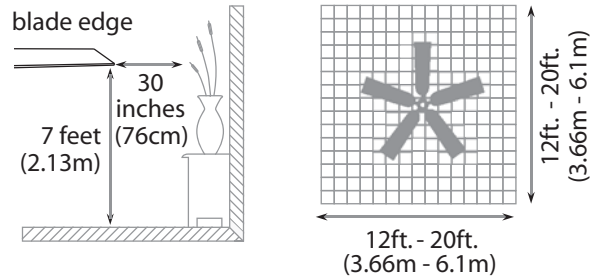
**⚠ IMPORTANT REMINDER:** You must use the parts provided with this fan for proper installation and safety. **⚠**

**required bulbs:**  
4 x 60 watt max. candelabra base bulbs  
(sold separately)



### 3. Installation Preparation.

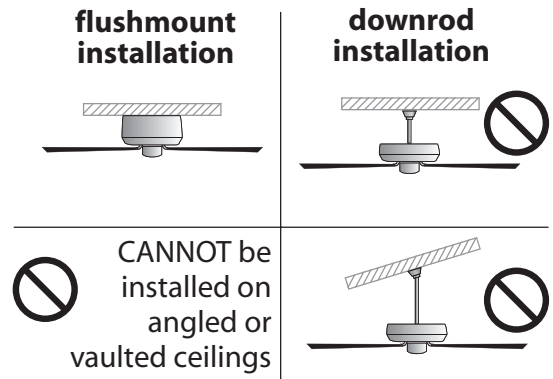
To prevent personal injury and damage, ensure that the hanging location allows the blades a clearance of 7ft. (2.13m) from the floor and 30in. (76cm) from any wall or obstruction. This fan is suitable for room sizes up to 400 square feet (37.2 square meters).



This fan can be mounted as a **flushmount** on a regular (no-slope) ceiling *only*. **Downrod** installations are **not** available for this fan.

**Installation requires these tools:**

Phillips screwdriver, flat-head screwdriver, adjustable pliers or wrench, stepladder, wire cutters, and rated electrical tape.



### 4. Hanging Bracket Installation.

Turn off circuit breakers to current fixture from breaker panel and be sure operating light switch is turned to the OFF position.

**WARNING:** Failure to disconnect power supply prior to installation may result in serious injury.

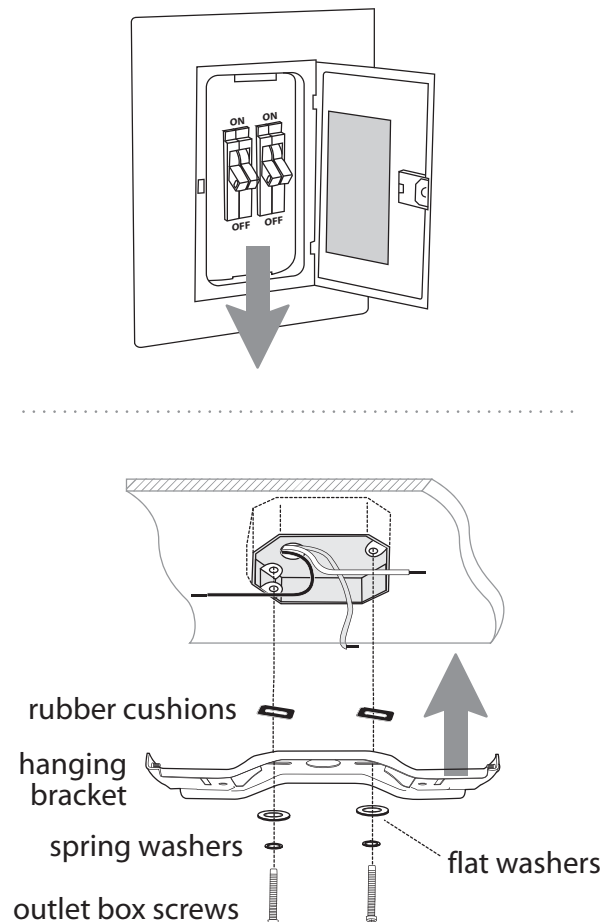
Remove existing fixture.

**WARNING:** When using an existing outlet box, be sure the outlet box is securely attached to the building structure and can support the full weight of the fan. Ensure outlet box is clearly marked "Suitable for Fan Support." If not, it must be replaced with an approved outlet box. Failure to do so can result in serious injury.

**CAUTION:** Be sure outlet box is grounded properly and that a ground wire (green or bare) is present.

Install hanging bracket to outlet box using original screws, spring washers and flat washers provided with new or original outlet box. \* Install rubber cushions between outlet box and hanging bracket to reduce vibration of metal to metal surfaces. Pull electrical wiring from outlet box through center hole in the hanging bracket.

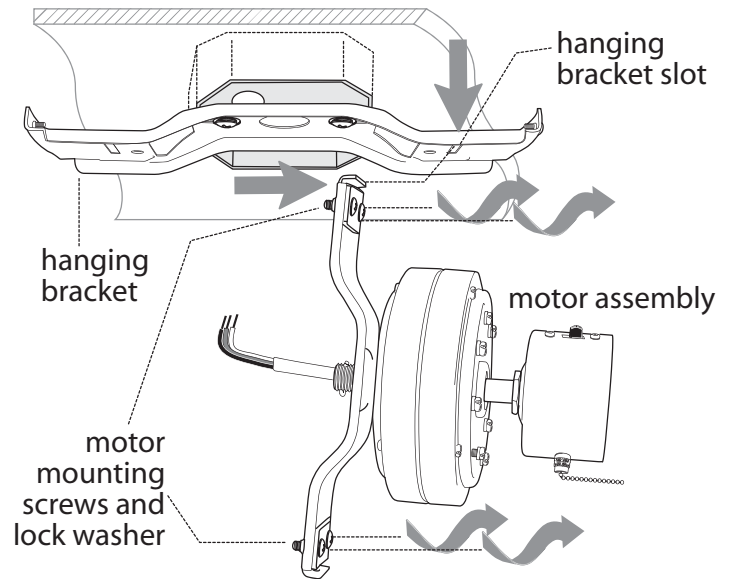
**\*Note:** It is very important that you use the proper hardware when installing the hanging bracket as this will support the fan.



## 5. Preparation for Wiring.

Remove 4 motor mounting screws and lock washers from the bar on the top of motor assembly; leave rubber cushions in place. Lift motor assembly to hanging bracket and place one end of motor assembly in hanging bracket slot. This will allow motor assembly to hang out of the way while wiring.

**Tip:** Seek the help of another person to hold the stepladder in place and to lift the fan up to you once you are set on the ladder.



## 6. Wiring.

**NOTE:** See instructions above (Section 5) in order to temporarily hang fan on hanging bracket during wiring.

**CAUTION:** Be sure outlet box is properly grounded and that a ground wire (**GREEN** or Bare) is present.

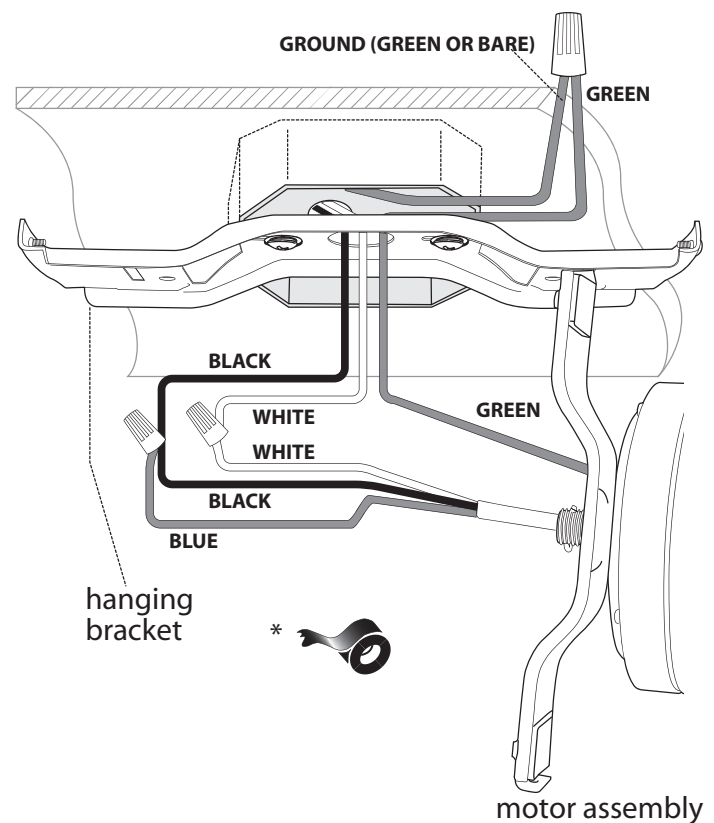
Make sure all electrical connections comply with Local Codes or Ordinances and the National Electrical Code. If you are unfamiliar with electrical wiring or if the house/building wires are different colors than those referred to in the instructions below, please use a qualified electrician.

When fan is secured in place on the hanging bracket, electrical wiring can be made as follows: Connect **BLACK** and **BLUE** wire from fan to **BLACK** wire from ceiling with wire connector provided.

Connect **WHITE** wire from fan to **WHITE** wire from ceiling with wire connector provided. Connect all **GROUND (GREEN)** wires from fan together to **BARE/GREEN** wire from ceiling with wire connector provided.

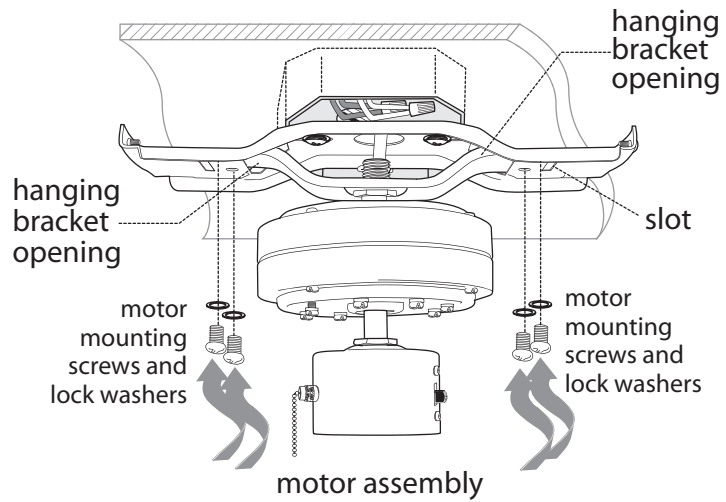
If you intend to control the fan light with a separate light switch, connect **BLUE** wire from fan to the **BLACK** supply from the independent switch.

\* Wrap each wire connector separately with electrical tape as an extra safety measure.



## 7. Fan Assembly.

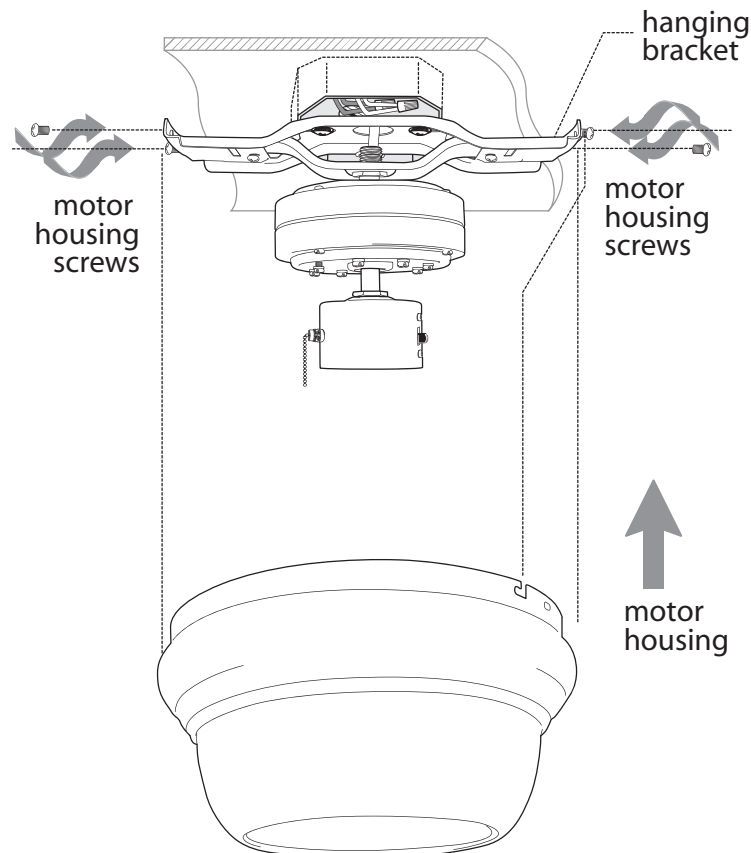
Remove motor assembly from temporary hanging slot in hanging bracket. Carefully push wiring and wire connectors into outlet box. Slide one end of bar on motor assembly through one of the openings in the hanging bracket. Lift the other end of the and slide it through opposite opening on hanging bracket. Align holes in top of motor assembly with holes in hanging bracket. Secure motor assembly to hanging bracket with lock washers and motor mounting screws that were previously removed (Section 5, page 4).



## 8. Motor Housing Assembly.

Temporarily hold motor housing up to hanging bracket to determine which 2 screws align with slotted holes on top rim of motor housing. Put motor housing down and *partially loosen* the 2 screws in the hanging bracket that correspond to slotted holes in motor housing. *Remove* the **other** 2 screws from the hanging bracket.

Raise motor housing to hanging bracket again, allowing slotted holes in motor housing to align with loosened screws in hanging bracket. Twist motor housing to lock. Re-install the 2 screws that were previously removed and then tighten all screws to secure motor housing.



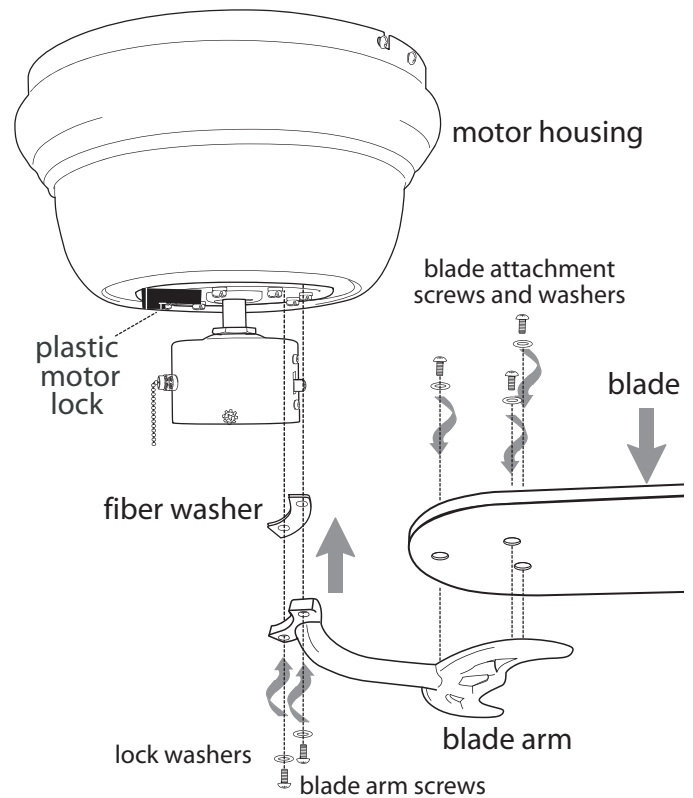
## 9. Blade Assembly.

**Time Saver:** Washers for blade screws can be set on each blade screw prior to installing blades.

Locate 15 blade attachment screws and washers in hardware pack. Hold blade arm up to blade and align holes. Insert 3 blade attachment screws (along with washers) with fingers first and then tighten screws securely with Phillips screwdriver. Repeat procedure for the remaining blades.

Remove blade arm screws and lock washers from underside of motor. If plastic motor locks are installed with blade arm screws, discard plastic motor locks (*save blade arm screws and lock washers to secure blade arms*). Align blade arm holes with motor screw holes and attach blade arm with lock washers and blade arm screws. [**Important:** When installing blade arm, place a long fiber washer (provided in a hardware pack) between motor and blade arm to reduce vibration of metal to metal surfaces.] Before securing screws permanently, repeat procedure with remaining blade arms. Securely tighten all screws.

**Note:** Tighten blade arm screws twice a year.

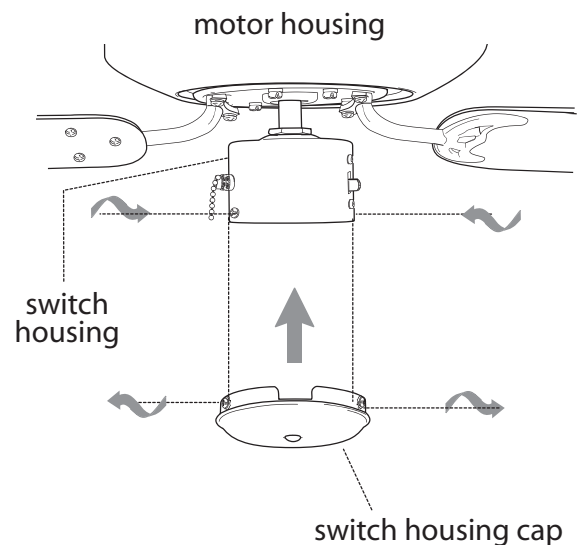


## 10. Light Kit Assembly (Optional).

**If you wish to use your fan WITH the light kit,** please follow instructions starting on the following page.

**If you wish to use your fan WITHOUT the light kit,** remove 3 screws from switch housing cap. Align holes in switch housing cap with holes in switch housing. Attach switch housing cap to switch housing with screws that were just removed. Securely tighten all screws. *Please proceed to Section 11 on the following page to complete installation WITHOUT the light kit.*

**["Light Kit Assembly" continued on next page.]**



## 10. Light Kit Assembly (Optional). (cont.)

Remove 3 screws from light kit fitter. Locate **BLUE** (or **BLACK**) and **WHITE** wires in the switch housing labeled FOR LIGHT KIT CONNECTION. Remove and discard plastic that holds these 2 wires together.

Connect **WHITE** wire from switch housing to **WHITE** wire from light kit fitter. Connect **BLUE** (or **BLACK**) wire from switch housing to **BLACK** wire from light kit fitter. Be sure that molex connections snap together securely.

Align holes in light kit fitter with holes in switch housing. Attach light kit fitter with 3 screws that were previously removed. Securely tighten all screws.

Attach glass shades to light kit fitter with thumbscrews provided in one of the hardware packs. *Do not overtighten thumbscrews as glass may crack or break.*

Install 4 candelabra base 60 watt max. bulbs (sold separately).

**Important:** When replacing bulbs, please allow bulb(s) and glass shade(s) to cool down before touching.

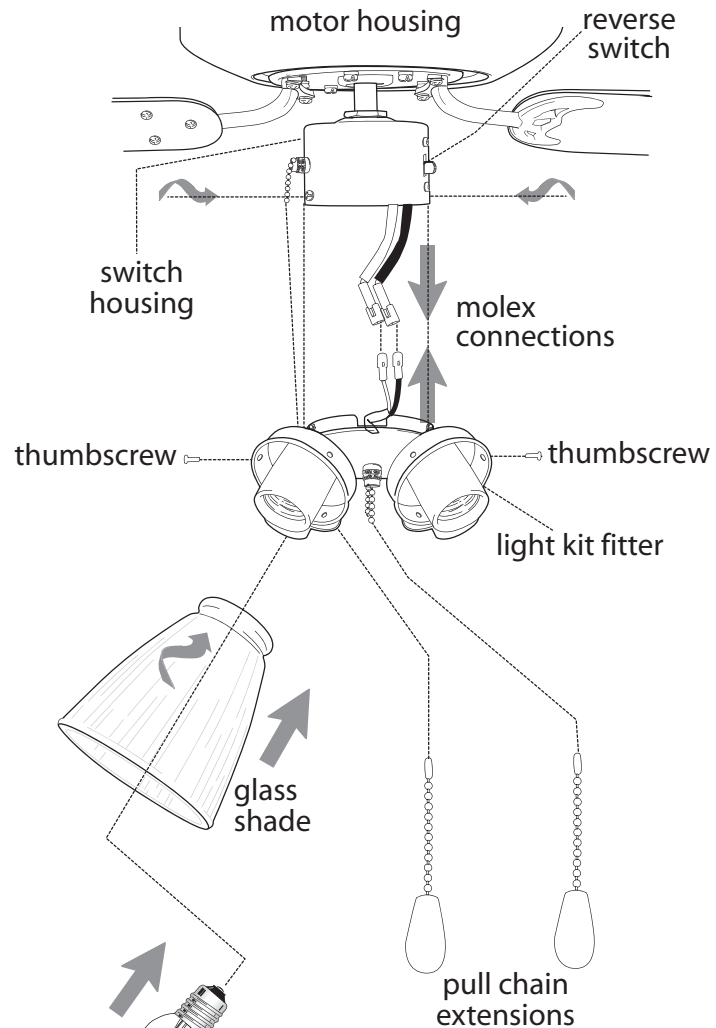


diagram 1

## 11. Testing Your Fan.

It is recommended that you test fan before finalizing installation. Restore power from circuit box and wall switch (if applicable). Test fan speeds with the pull chain directly opposite the reverse switch. Start at the OFF position (no blade movement). First pull will set the fan to HI. Second pull will set the fan to MEDIUM. Third pull will set the fan to LOW. Fourth pull will re-set the fan to OFF setting. Test light kit with the pull chain in the middle. (Refer to **diagram 1**.) If fan and/or light do (does) not function, please refer to "Troubleshooting" section to solve any issues before contacting Customer Service.

Turn fan completely off *before* moving the reverse switch. Set reverse switch to recirculate air depending on the season:

- DOWN position in summer (**diagram 2**)
- UP position in winter (**diagram 3**)

A ceiling fan will allow you to raise your thermostat setting in summer and lower your thermostat setting in winter without feeling a difference in your comfort.

**Important:** Reverse switch must be set either completely UP or completely DOWN for fan to function. If the reverse switch is set in the middle position (**diagram 4**), fan will not operate.

Attach pull chains extensions provided or custom pull chain extensions (sold separately) to ends of pull chains.

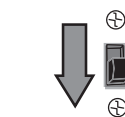


diagram 2



diagram 3



diagram 4



## Troubleshooting.

**WARNING:** Failure to disconnect power supply prior to troubleshooting any wiring issues may result in serious injury.

**Problem:** Fan fails to operate.

**Solutions:**

1. Check wall switch to fan.
2. Verify that reverse switch is set completely in either direction.
3. Check to be sure fan is wired properly.

**Problem:** Light kit (optional) not lighting.

**Solutions:**

1. Check wall switch to fan.
2. Check that bulbs are installed correctly.
3. Check to be sure wires in outlet box are wired properly.
4. Verify that molex connections in switch housing are connected properly.

**Problem:** Fan operates but lights fail (if applicable).

**Solutions:**

1. Check that bulbs are installed correctly.
2. Check to be sure wires in outlet box are wired properly.
3. Verify that molex connections in switch housing are connected properly.
4. Replace defective bulbs with same type of bulb.

**Problem:** Fan wobbles.

**Solutions:**

1. Carefully loosen motor housing and verify that mounting bracket is secure.
2. Check to be sure motor housing is turned completely and that motor housing screws are secure.

## Parts Replacement.

For parts and information, please refer to "Parts Inventory" on page 2.

Litex Customer Support:

**1-800-527-1292**

## Warranty.

LITEX 15-YEAR LIMITED WARRANTY:

LITEX INDUSTRIES, LTD. warrants this fan to the original household purchaser for indoor use under the following provisions:

1-YEAR WARRANTY: LITEX INDUSTRIES, LTD. will replace or repair any fan which has faulty performance due to a defect in material or workmanship. Contact Litex Customer Service at **1-800-527-1292** to arrange for return of fan. Return fan, shipping prepaid, to Litex Industries, Ltd. We will repair or ship you a replacement fan, and we will pay the return shipping cost.

5-YEAR WARRANTY: LITEX INDUSTRIES, LTD. will repair or replace, at no charge to the original purchaser, any fan motor that fails to operate satisfactorily when failure results from normal use.

RETURN FAN MOTOR ONLY, shipping prepaid, to Litex Industries. We will repair or ship purchaser a replacement motor and Litex will pay the return shipping cost.

6 to 15-YEAR LIMITED WARRANTY: LITEX INDUSTRIES, LTD. will repair the fan, at no charge to the original purchaser for labor only, if the fan motor fails to operate satisfactorily when failure results from normal use. Parts used in the repair will be billed to the purchaser at prevailing prices at time of repair.

The purchaser shall be responsible for all costs incurred in the removal, reinstallation and shipping of the product for repairs.

This warranty does not apply when damage from mechanical, physical, electrical or water abuse results in causing the malfunction. Deterioration of finishes or other parts due to time or exposure to salt air is specifically exempted under this warranty.

Neither Litex Industries nor the manufacturer will assume any liability resulting from improper installation or use of this product. In no case shall the company be liable for any consequential damages for breach of this, or any other warranty expressed or implied whatsoever. This limitation as to consequential damages shall not apply in states where prohibited.





LEER ESTAS INSTRUCCIONES Y  
GUARDARLAS PARA UTILIZACION FUTURA



## Guía de instalación

Para modelos:

BRC52AB5C

BRC52BB5C

BRC52WB5C

BRC52WW5C

### Índice de materias:

Sugerencias de seguridad. Pág. 1

Desempaquetado del ventilador. Pág. 2

Inventario de piezas. Pág. 2

Preparación para la instalación. Pág. 3

Instalación del soporte de montaje. Pág. 3

Preparación para la instalación eléctrica. Pág. 4

Instalación eléctrica. Pág. 4

Ensamblaje del ventilador. Pág. 5

Colocación del bastidor del motor. Pág. 5

Colocación de las aspas. Pág. 6

Instalación del juego de luz. Págs. 6 - 7

Verificación del funcionamiento del  
ventilador. Pág. 7

Localización de fallas. Pág. 8

Piezas de repuesto. Pág. 8

Garantía. Pág. 8



LISTED  
E124404

peso neto del ventilador: 7,5 kg (16,53 lb)

IMPRESO EN CHINA

## SUGERENCIAS DE SEGURIDAD.

**ADVERTENCIA:** Para evitar la posibilidad de una descarga eléctrica, desconectar la corriente en la caja de fusibles principal o el interruptor protector antes de iniciar la instalación del ventilador o antes de repararlo o instalar accesorios.

1. **LEER TODAS LAS INSTRUCCIONES E INFORMACIÓN DE SEGURIDAD CUIDADOSAMENTE ANTES DE INSTALAR SU VENTILADOR Y GUARDAR ESTAS INSTRUCCIONES.**

**PRECAUCION:** Para reducir el riesgo de daño corporal, es posible que sea necesario usar guantes al manejar las piezas del ventilador que tengan bordes afilados.

2. Asegurarse de que todas las conexiones eléctricas cumplan con los Códigos o las Ordenanzas Locales, el Código Nacional Eléctrico, y ANSI/NFPA 70-1999. Si usted no está familiarizado con el alambrado eléctrico o los cables de la casa/el edificio son de colores diferentes a los cuales se refieren en las instrucciones, favor de buscar un electricista calificado.
3. Asegurarse de que haya localizado una ubicación para su ventilador que permite el espacio necesario para la rotación de las aspas y por lo menos 2,13 metros (7 pies) de espacio libre entre el piso y las puntas de las aspas. Debe instalar el ventilador para que las puntas de las aspas queden a una distancia de por lo menos 76 centímetros (30 pulgadas) de las paredes y otras estructuras verticales.
4. La caja de salida eléctrica debe estar bien sujeta a la viga de soporte del techo y deben ser capaces de sostener por lo menos 16 kilogramos (35 libras). La caja de salida debe tener apoyo directo de la estructura del edificio. Sólo usar cajas de salida registradas con UL que indican que "sirven para ventilador" ("FOR FAN SUPPORT" en inglés).

**ADVERTENCIA:** Para reducir el riesgo de incendio, descarga eléctrica o daño corporal, instalar en la caja de salida marcada "Aceptable para sostener ventilador" (Acceptable for Fan Support) y utilizar los tornillos proporcionados con la caja de salida. La mayoría de las cajas de salida que normalmente se usan para sostener los aparatos de alumbrado no siempre son apropiadas para sostener ventiladores y es posible que las tenga que reemplazar. En caso de duda, consultar con un electricista calificado.

**ADVERTENCIA:** Para reducir el riesgo de incendio, descarga eléctrica o daño corporal, los conectores para cable provistos con este ventilador son diseñados para aceptar sólo un cable de calibre 12 de la casa y dos cables principales del ventilador. Si el calibre del cable de la casa es superior al 12 o hay más de un cable de la casa para conectar a los cables principales del ventilador, consultar con un electricista para informarse sobre el tamaño correcto de conectores para cable que se debe usar.

5. Los diagramas eléctricos son únicamente para referencia. Los juegos de luz que no se incluyen con el ventilador deben tener el símbolo UL y también deben indicar que sirven para uso con este ventilador. Los interruptores deben ser interruptores de uso general UL. Referirse a las instrucciones incluidas con el juego de luz y los interruptores para ensamblarlos correctamente.
6. Después de haber terminado la instalación, asegurarse de que todas las conexiones estén totalmente seguras.
7. Después de haber terminado todas las conexiones eléctricas, los conductores empalmados deben ser volteados para arriba y colocados cuidadosamente dentro de la caja de salida. Los alambres se deben de separar con el conductor a tierra a un lado y el conductor a tierra del equipo al lado opuesto.

**ADVERTENCIA:** Para reducir el riesgo de incendio o una descarga eléctrica, no usar el ventilador con ningún control de velocidad de estado sólido ni controlar la velocidad del ventilador con un interruptor con reductor de luz de gama completa. [El usar un interruptor con reductor de luz de gama completa para controlar la velocidad del ventilador causara un zumbido recio del ventilador.]

8. No utilizar el interruptor de reversa hasta que el ventilador se haya parado completamente.
9. No insertar ningún objeto entre las aspas mientras estén rotando.

**ADVERTENCIA:** Para reducir el riesgo de daño corporal, no doblar los brazos de las aspas durante el ensamblaje ni durante la instalación. No insertar objetos entre las aspas mientras estén rotando.

**ADVERTENCIA:** Para reducir el riesgo de daño corporal o algún daño al ventilador, tener cuidado al estar trabajando alrededor del ventilador o limpiándolo.

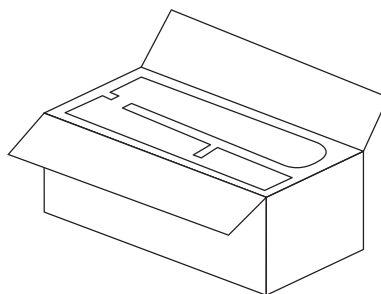
10. No utilizar agua ni detergentes para limpiar el ventilador ni las aspas. Usar un trapo seco o ligeramente húmedo para su limpieza general.

**ADVERTENCIA:** Para reducir el riesgo de daño corporal, usar **sólo** las piezas provistas con este ventilador. **Al usar piezas DISTINTAS a las provistas con este ventilador se invalidará la garantía.**

**NOTA:** No se debe concluir que las precauciones de seguridad importantes e instrucciones en este manual van a abarcar todas las condiciones y situaciones posibles que puedan ocurrir. Se debe entender que el sentido común y la precaución son factores necesarios en la instalación y la operación de este ventilador.

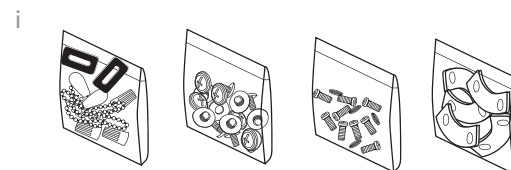
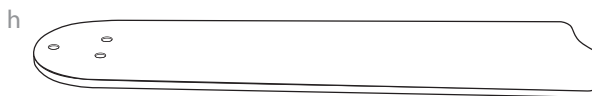
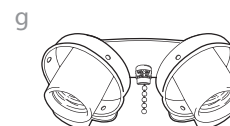
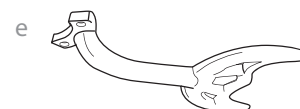
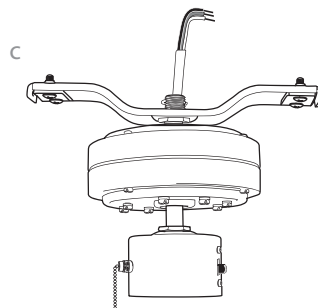
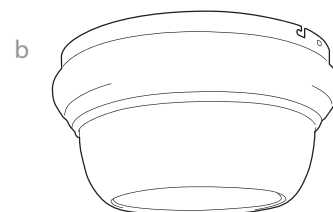
## 1. Desempaquetado del ventilador.

Abrir el empaque cuidadosamente. Sacar los artículos del embalaje. Sacar el motor y ponerlo en una alfombra o en el embalaje para evitar rayar el acabado. Guardar la caja de cartón o el empaquetamiento original en caso de que tenga que mandar el ventilador para alguna reparación. Comprobar las piezas del ventilador con el inventario de piezas y verificar que todas estén incluidas.



## 2. Inventario de piezas.

- a.** soporte de montaje. 1 unidad
- b.** bastidor del motor. 1 unidad
- c.** unidad del motor. 1 unidad
- d.** cubierta de la caja de encendido. 1 unidad
- e.** brazo para el aspa. 5 unidades
- f.** pantalla de vidrio. 4 unidades
- g.** conector para el juego de luz. 1 unidad
- h.** aspa. 5 unidades
- i.** paquetes de artículos de ferretería



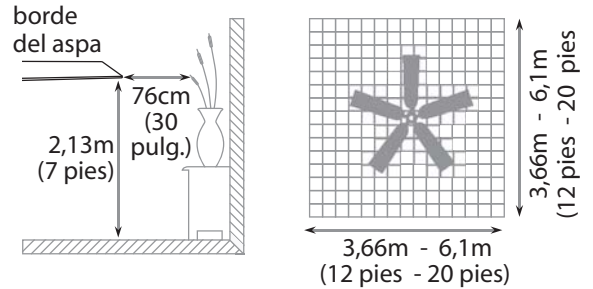
**⚠ RECORDATORIO IMPORTANTE:**  
Se tienen que utilizar las piezas provistas con este ventilador para una instalación adecuada y su seguridad. **⚠**

**bombillas necesarias:**  
4 bombillas de base candelabro de 60 vatios máx. (a la venta por separado)



### 3. Preparación para la instalación.

Para prevenir daño corporal y otros daños, asegurarse de que el lugar en donde va a colgar el ventilador le permite un espacio libre de 2,13m (7 pies) entre las puntas de las aspas y el piso y 76cm (30 pulg.) entre las aspas y cualquier pared u otra obstrucción. Este ventilador es adecuado para habitaciones hasta 37,2 metros cuadrados (400 pies cuadrados).

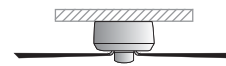


Este ventilador se puede colgar **al ras con el techo solamente** en un techo regular (sin inclinación). **No se puede hacer instalación con tubo** con este ventilador.

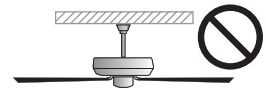
**Se necesitan las herramientas siguientes para la instalación:**

Destornillador de estrella Phillips, destornillador de paleta (plano), alicates ajustables o llave de tuercas, escalera de tijera, cortaalambres y cinta aisladora.

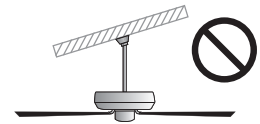
**instalación al ras con el techo**



**instalación con tubo**



**NO se permite instalar en techo angulado ni abovedado.**



### 4. Instalación del soporte de montaje.

Apagar los cortacircuitos en el panel de electricidad que suplen corriente a la caja de salida y asegurarse de que el interruptor de luz esté APAGADO.

**ADVERTENCIA:** El no desconectar el suministro de fuerza antes de la instalación puede tener por resultado lesiones graves.

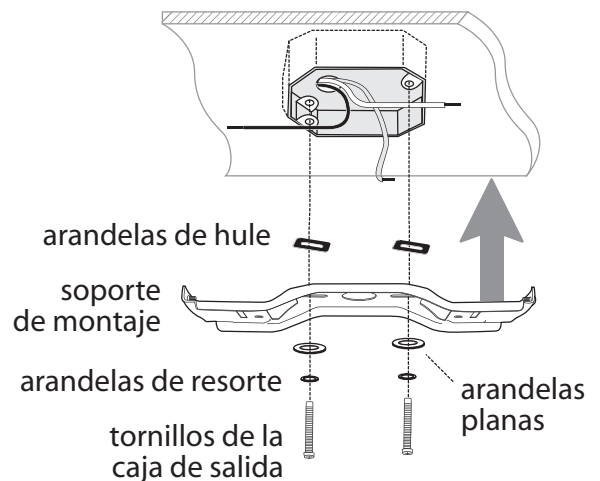
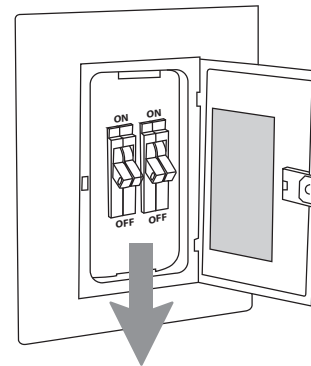
Quitar el aparato existente.

**ADVERTENCIA:** Si utiliza una caja de salida eléctrica existente, asegurarse de que la caja de salida esté firmemente conectada a la estructura del edificio y que sea capaz de sostener el peso total del ventilador. Asegurarse de que la caja de salida indique claramente que "Sirve para ventilador" (FOR FAN SUPPORT); si no, se debe reemplazar con una caja de salida aprobada. El no hacer el cambio si es necesario puede resultar en lesiones graves.

**PRECAUCION:** Asegurarse de que la caja de salida esté conectada a tierra correctamente y que haya un conductor a tierra (verde o pelado).

Instalar el soporte de montaje utilizando los tornillos originales, las arandelas de resorte y las arandelas planas de su nueva o existente caja de salida.\* Instalar las arandelas de hule entre el soporte de montaje y la caja de salida para reducir la vibración entre las superficies de metal. Pasar el alambrado eléctrico (los cables) de la caja de salida por el agujero de en medio del soporte de montaje.

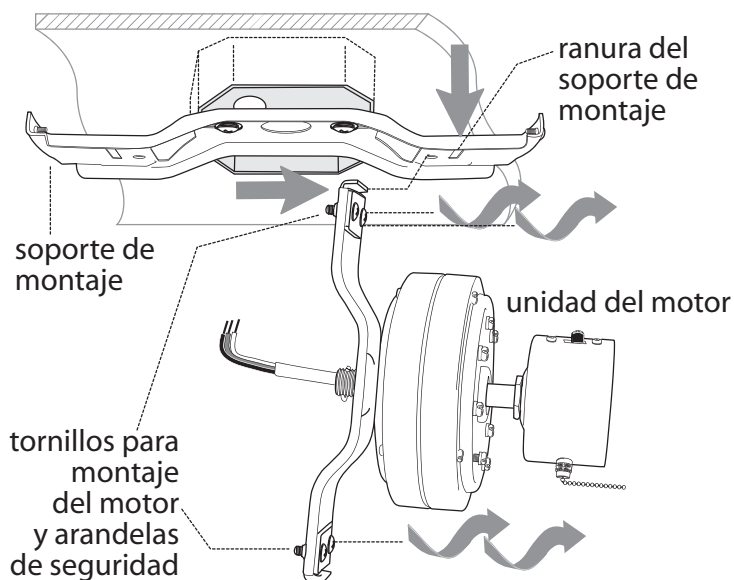
**\*Nota:** Es muy importante usar los artículos de ferretería correctos al instalar el soporte de montaje puesto que sirve para sostener el ventilador.



## 5. Preparación para la instalación eléctrica.

Quitar los 4 tornillos para montaje del motor y las arandelas de seguridad de la barra en la parte superior de la unidad del motor, dejar las arandelas de hule en su lugar. Elevar la unidad del motor al soporte de montaje y colocar una extremidad de la unidad del motor en la ranura del soporte de montaje como se muestra. Esto permitirá que la unidad del motor permanezca colgado a un lado mientras hace la instalación eléctrica.

**Sugerencia:** Solicitar ayuda de otra persona para sujetar la escalera y para que le suba el ventilador cuando usted ya esté preparado en la escalera para colgarlo.



## 6. Instalación eléctrica.

**NOTA:** Ver las instrucciones más arriba (Sección 5) para colgar el ventilador en el soporte de montaje *temporalmente* durante la instalación eléctrica.

**PRECAUCION:** Asegurarse de que la caja de salida esté conectada a tierra como es debido y que exista un conductor a tierra (**VERDE** o **PELADO**).

Asegurarse de que toda conexión eléctrica cumpla con los Códigos o las Ordenanzas Locales y el Código Nacional Eléctrico. Si usted no está familiarizado con la instalación eléctrica o los cables de la casa/el edificio son de colores diferentes a los cuales se refieren en las instrucciones a continuación, favor de buscar un electricista calificado.

Una vez que el ventilador esté bien sujeto en el soporte de montaje, se puede hacer la instalación eléctrica como sigue:

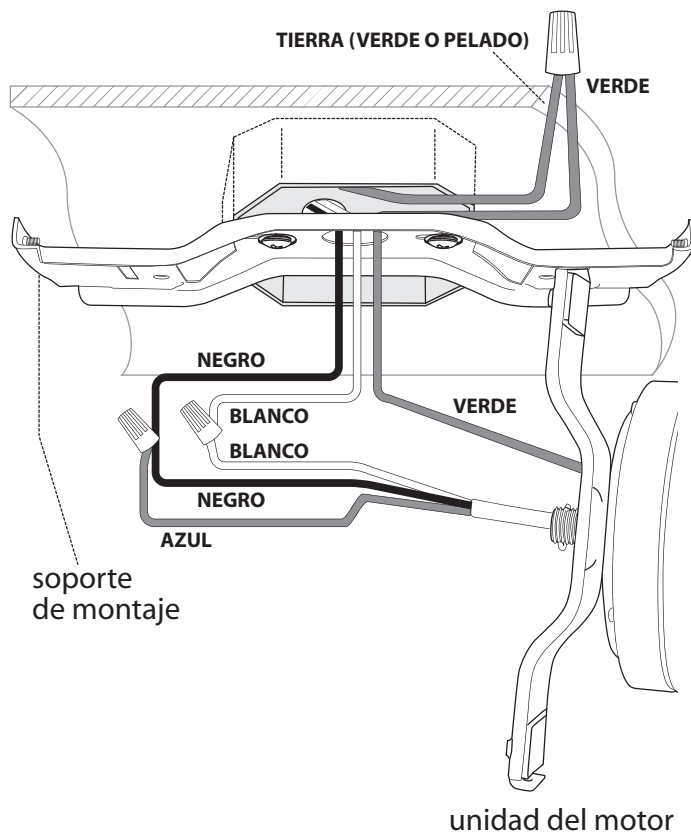
Conectar el cable **NEGRO** y el **AZUL** del ventilador al cable **NEGRO** que sale del techo con un conector para cable provisto.

Conectar el cable **BLANCO** del ventilador al cable **BLANCO** que sale del techo con un conector para cable provisto.

Conectar todos los conductores a **TIERRA (VERDES)** del ventilador al cable **PELADO/VERDE** que sale del techo con un conector para cable provisto.

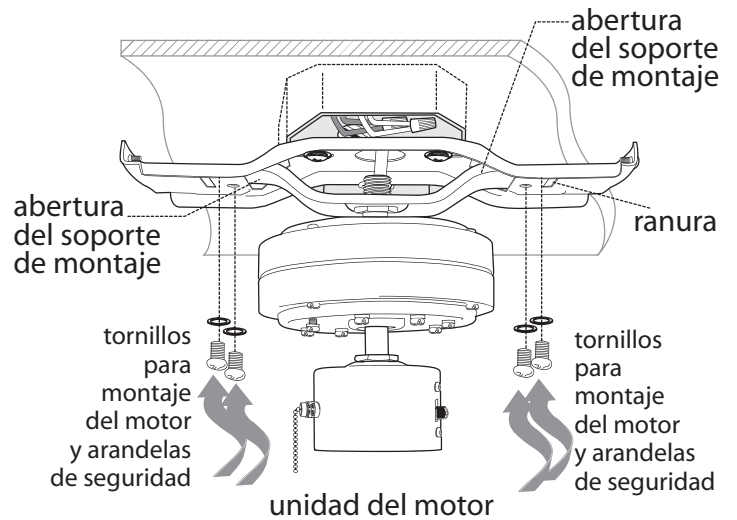
Si usted piensa controlar la luz del ventilador con un interruptor distinto, conectar el cable **AZUL** del ventilador al conductor **NEGRO** que corresponde al interruptor independiente.

\*Como una medida de seguridad adicional, envolver cada conector para cable con cinta aisladora.



## 7. Ensamblaje del ventilador.

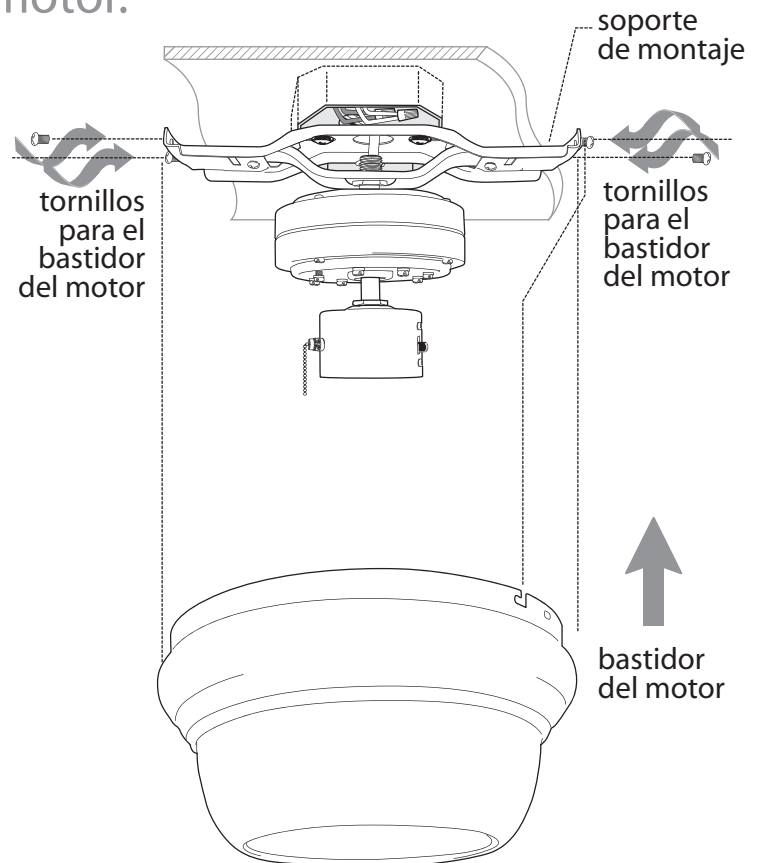
Quitar la unidad del motor de la ranura en el soporte de montaje que se usó para colgarla temporalmente. Con cuidado meter los conectores para cable dentro de la caja de salida. Meter una extremidad de la barra de la unidad del motor en una de las aberturas del soporte de montaje. Subir la otra extremidad de la unidad del motor y meterla en la abertura contraria del soporte de montaje. Alinear los agujeros en la parte de arriba de la unidad del motor con los agujeros en el soporte de montaje. Asegurar la unidad del motor al soporte de montaje con las arandelas de seguridad y los tornillos para montaje del motor que se quitaron anteriormente (página 4, sección 5).



## 8. Colocación del bastidor del motor.

Sostener el bastidor del motor cerca del soporte de montaje temporalmente para determinar cuáles 2 tornillos se alinean con los agujeros con ranura en el borde superior del bastidor del motor. Bajar el bastidor del motor y *aflojar parcialmente* los 2 tornillos en el soporte de montaje que corresponden a los agujeros con ranura en el bastidor del motor. *Quitar los otros 2* tornillos del soporte de montaje.

Subir el bastidor del motor hasta el soporte de montaje de nuevo, dejando que los agujeros con ranura en el bastidor del motor se alineen con los tornillos aflojados en el soporte de montaje. Girar el bastidor del motor para cerrarlo. Volver a introducir los 2 tornillos que se quitaron anteriormente y luego apretar todos los tornillos para asegurar el bastidor del motor.



## 9. Colocación de las aspas.

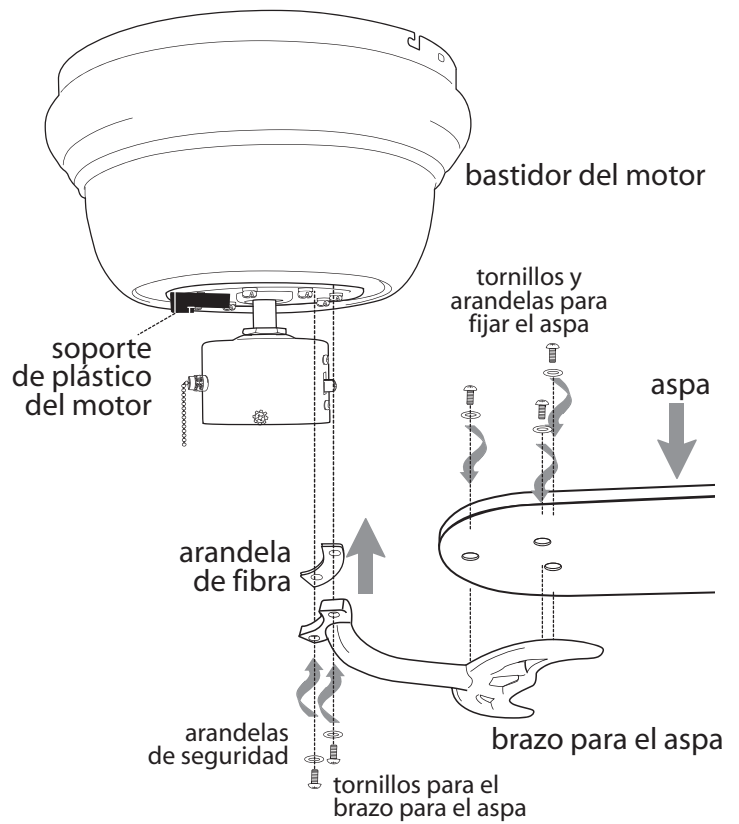
**Para ahorrar tiempo:** Se pueden poner las arandelas en los tornillos para las aspas antes de colocar las aspas.

Localizar 15 tornillos para fijar las aspas y 15 arandelas en uno de los paquetes de artículos de ferretería. Agarrar uno de los brazos para las aspas y juntarlo con una de las aspas para alinear los agujeros. Introducir 3 tornillos para fijar las aspas (junto con las arandelas) con los dedos primero y luego apretar los tornillos bien con un destornillador de estrella Phillips. Repetir el procedimiento con las demás aspas.

Sacar los tornillos para los brazos para el aspa y las arandelas de seguridad del lado inferior del motor. Si se han instalado soportes de plástico con los tornillos para el brazo para el aspa, desechar los soportes de plástico (*guardar los tornillos para el brazo para el aspa y las arandelas de seguridad para asegurar los brazos para el aspa*). Alinear los agujeros de uno de los brazos para las aspas con los agujeros para los tornillos en el motor y fijar el brazo para el aspa con arandelas de seguridad y tornillos para el brazo para el aspa.

**[Importante:** Al instalar el brazo para el aspa, colocar una arandela de fibra larga (provista en un paquete de artículos de ferretería) entre el motor y el brazo para el aspa para reducir la vibración entre las superficies de metal.] Antes de apretar los tornillos bien, repetir el mismo procedimiento con los demás brazos para las aspas. Apretar bien todos los tornillos.

**Nota:** Apretar los tornillos para los brazos para el aspa dos veces al año.

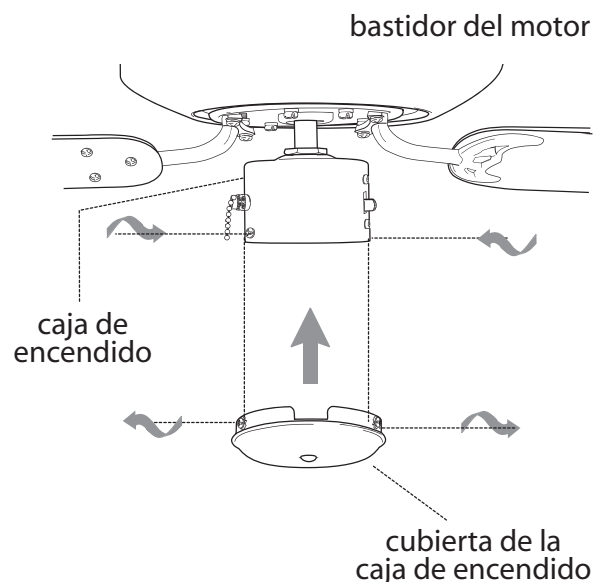


## 10. Instalación del juego de luz (opcional).

**Si desea utilizar el ventilador CON el juego de luz,** favor de pasar a las instrucciones en la parte superior de la página siguiente.

**Si desea utilizar el ventilador SIN el juego de luz,** quitar los 3 tornillos de la cubierta de la caja de encendido. Alinear los agujeros en la cubierta de la caja de encendido con los agujeros en la caja de encendido. Sujetar la cubierta de la caja de encendido a la caja de encendido con los tornillos que apenas se quitaron. Apretar bien todos los tornillos. *Favor de pasar a la sección 11 en la página siguiente para terminar la instalación SIN el juego de luz.*

**[La "Instalación del juego de luz" continúa en la página siguiente.]**





## 10. Instalación del juego de luz (opcional). (cont.)

Quitar los 3 tornillos del conector para el juego de luz. Localizar los cables **AZUL** (o **NEGRO**) y **BLANCO** en la caja de encendido etiquetados "FOR LIGHT KIT CONNECTION" (PARA ENCHUFE DEL JUEGO DE LUZ). Quitarles y tirar el plástico que ligan los 2 cables.

Conectar el cable **BLANCO** de la caja de encendido al cable **BLANCO** del conector para el juego de luz. Conectar el cable **AZUL** (o **NEGRO**) de la caja de encendido al cable **NEGRO** del conector para el juego de luz. Asegurarse de que las conexiones tipo "molex" se cierren bien con un clic.

Alinear los agujeros en el conector para el juego de luz con los agujeros en la caja de encendido. Sujetar el conector para el juego de luz con los 3 tornillos que se quitaron anteriormente. Apretar bien todos los tornillos.

Fijar las pantallas de vidrio al conector para el juego de luz con los tornillos de mariposa provistos en uno de los paquetes de artículos de ferretería. *No apretarlos demasiado ya que el vidrio se puede rajar o romper.*

Instalar 4 bombillas de base candelabro de 60 vatios máx. (a la venta por separado).

**Importante:** Cuando necesite reemplazar las bombillas, favor de dejar que se enfríen la(s) bombilla(s) y la(s) pantalla(s) de

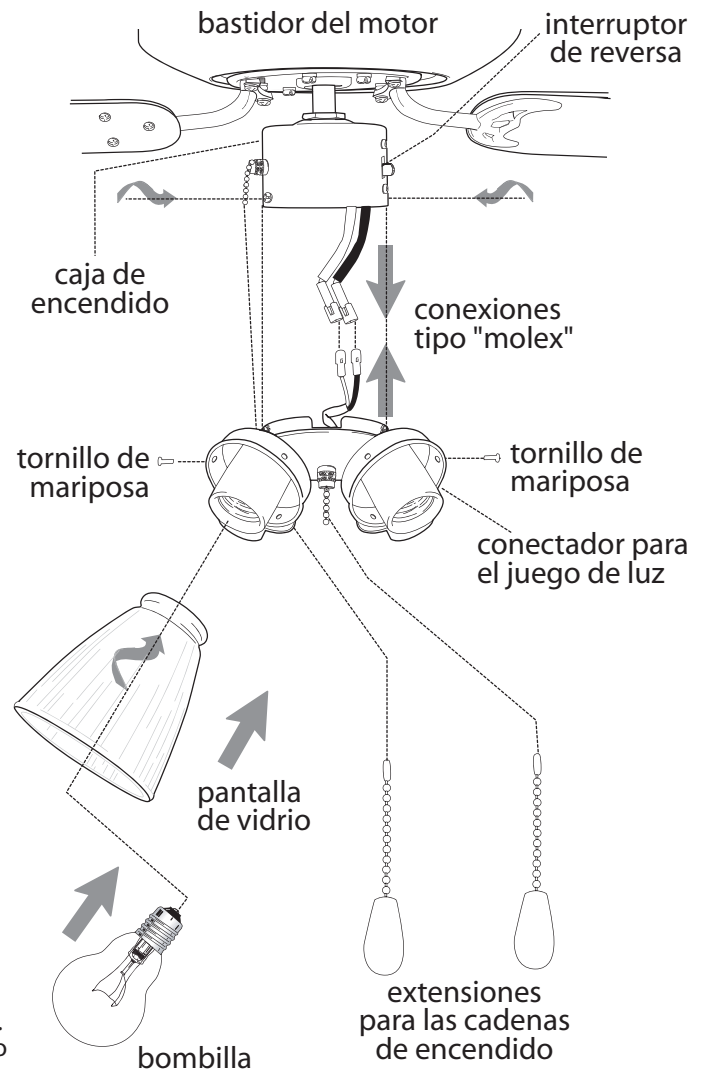


diagrama 1

## 11. Verificación del funcionamiento del ventilador.

Se le recomienda poner el ventilador a prueba antes de terminar la instalación. Regresar la corriente de electricidad en el cortacircuitos y encender el interruptor de la luz en la pared (si se aplica). Verificar las velocidades del ventilador con la cadena de encendido directamente opuesto al interruptor de reversa. Empezar en estado de APAGADO (sin movimiento de las aspas). Con el primer tirón el ventilador estará en marcha ALTA. El segundo tirón pondrá el ventilador en marcha MEDIA. El tercer tirón bajará el ventilador a marcha BAJA. Con el cuarto tirón se APAGARÁ el ventilador de nuevo. Poner a prueba el juego de luz jalando la cadena de encendido de en medio. Poner a prueba la luz jalando la cadena de encendido de en medio. (Referirse al **diagrama 1**.) Si el ventilador y/o la luz no funciona(n), favor de referirse a la sección "Localización de fallas" para resolver cualquier asunto antes de comunicarse con el Servicio al Cliente.

Apagar el ventilador completamente *antes* de mover el interruptor de reversa. Regularlo para que se circule bien el aire dependiendo de las estaciones del año:

- posición ABAJO en verano (**diagrama 2**)
- posición ARRIBA en invierno (**diagrama 3**)

Un ventilador de techo le permitirá subir el termostato en verano y bajarlo en invierno sin notar una diferencia en su comodidad.

**Importante:** Hay que mover el interruptor de reversa o completamente hacia ARRIBA o completamente hacia ABAJO para que funcione el ventilador. Si el interruptor de reversa está puesto en la posición de en medio (**diagrama 4**), no funcionará el ventilador.

Fijar las extensiones para las cadenas de encendido provistas a las cadenas de encendido o usar unas hechas a medida (a la venta por separado).

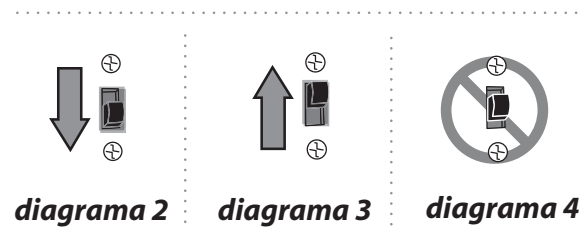


diagrama 2

diagrama 3

diagrama 4

## Localización de fallas.

**ADVERTENCIA:** El no desconectar el suministro de fuerza eléctrica antes de hacer localización de fallas para cualquier problema de instalación eléctrica puede causar lesiones graves.

**Problema:** El ventilador no funciona.

**Soluciones:**

1. Inspeccionar el interruptor de pared del ventilador.
2. Verificar que el interruptor de reversa del ventilador está en una sola posición, no en medio de las dos.
3. Verificar la instalación eléctrica del ventilador.

**Problema:** El juego de luz (opcional) no se ilumina.

**Soluciones:**

1. Inspeccionar el interruptor de pared del ventilador.
2. Verificar que se instalaron correctamente las bombillas.
3. Verificar que se hizo correctamente la conexión de cables en la caja de salida.
4. Asegurarse de haber conectado bien las conexiones tipo "molex" en la caja de encendido.

**Problema:** El ventilador funciona pero las luces no (si se aplica).

**Soluciones:**

1. Verificar que se instalaron correctamente las bombillas.
2. Verificar que se hizo correctamente la conexión de cables en la caja de salida.
3. Asegurarse de haber conectado bien las conexiones tipo "molex" en la caja de encendido.
4. Reemplazar bombillas defectuosas con el mismo tipo de bombilla.

**Problemas:** El ventilador se tambalea.

**Soluciones:**

1. Con cuidado aflojar el bastidor del motor y averiguar que el soporte de montaje está seguro.
2. Averiguar que se giró completamente el bastidor del motor y que se quedaron bien apretados los tornillos para el bastidor del motor.

## Piezas de repuesto.

Para piezas o información, favor de referirse al "Inventario de piezas" en la página 2.

Servicio al Cliente de Litex:

**1-800-527-1292**

## Garantía.

GARANTIA LIMITADA DE 15 AÑOS DE LITEX:

LITEX INDUSTRIES, LTD. garantiza este ventilador al comprador original de grupo familiar para uso interior con las siguientes condiciones:

**GARANTIA DE 1 AÑO:** LITEX INDUSTRIES, LTD. reemplazará o reparará cualquier ventilador que tenga funcionamiento deficiente debido a defectos en los materiales o trabajo manual. Comunicarse con el Servicio al Cliente de Litex al **1-800-527-1292** para acordar el reenvío del ventilador.

Devolver el ventilador, con los gastos de envío prepagados, a Litex Industries, Ltd. Nosotros repararemos o reemplazaremos el ventilador y pagaremos los gastos de envío de regreso.

**GARANTIA DE 5 AÑOS:** LITEX INDUSTRIES, LTD. reemplazará o reparará sin costo al comprador original, cualquier motor de ventilador que no funcione de manera satisfactoria a causa de uso normal.

**DEVOLVER EL MOTOR SOLAMENTE,** los gastos de envío prepagados, a Litex Industries. Nosotros repararemos el motor al comprador o le enviaremos uno de reemplazo y Litex pagará los gastos de envío de regreso.

**GARANTIA LIMITADA DE 6 a 15 AÑOS:** LITEX INDUSTRIES, LTD. reparará el ventilador, sin costo al comprador original por el coste laboral, si el motor del ventilador no funciona satisfactoriamente a causa del uso normal. Las piezas que se utilizan en hacer la reparación serán facturadas al comprador a los precios prevaletientes en el momento de la reparación.

El comprador original será responsable de todos los gastos incurridos en sacar, reinstalar y enviar el producto para reparación.

Esta garantía no se aplica cuando el ventilador tenga daños por abuso mecánico, físico, eléctrico o por agua resultando en su mal funcionamiento. Se exenta específicamente el deterioro en el acabado u otras partes debido al tiempo o exposición al aire marino bajo esta garantía.

Ni Litex Industries ni el fabricante se harán responsables por lo que pasa por una instalación inadecuada o el uso impropio de este producto. La compañía no se hará responsable en ningún caso de ningún daño emergente por incumplimiento de esta o cualquier otra garantía expresada o implicada en absoluto. Esta limitación de daños emergentes no se aplicará en estados donde es prohibido.

