

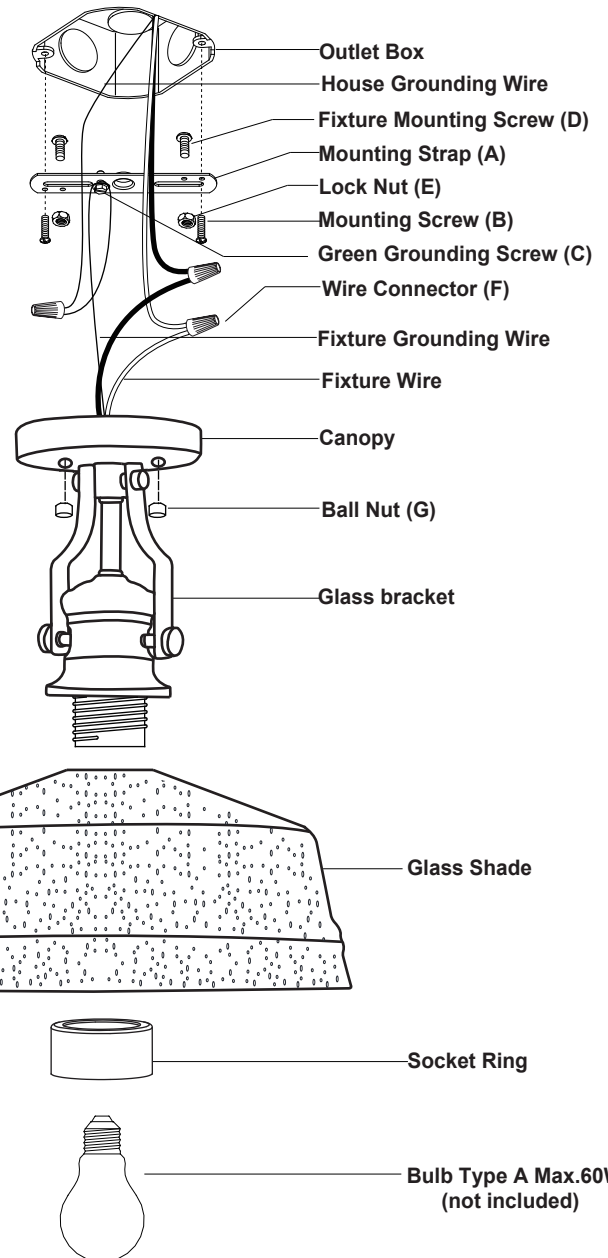
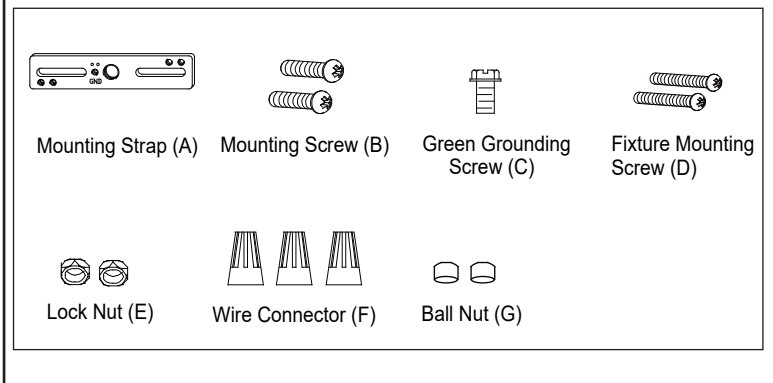
ASSEMBLY AND INSTALLATION INSTRUCTIONS

C0204

WARNING: TO AVOID RISK OF ELECTRICAL SHOCK, BE SURE TO SHUT OFF POWER BEFORE INSTALLING OR SERVICING THIS FIXTURE.

NOTES: 1. Before installing, consult local electrical codes for wiring and grounding requirements.
2. READ AND SAVE THESE INSTRUCTIONS.

Hardware Package (included):



Installation Steps

Turn off the power at fuse or circuit box

1. Thread two fixture mounting screws to the mounting strap, and secure them with two lock nuts, Adjust the length of the fixture mounting screws if necessary.
2. Attach the mounting strap to the outlet box by using two mounting screws.
3. Pull out the outlet wires and the house grounding wire from the outlet box. Make wire connections by using the wire connectors:
 - Connect the black (hot) wire from the fixture to the black (hot) wire from the power source.
 - Connect the white (neutral) wire from the fixture to the white (neutral) wire from the power source.
 - Attach the fixture grounding wire to the mounting strap with the green grounding screw. Then connect it to the house grounding wire with a wire connector. Carefully put the wires back into the outlet box.
4. Attach the back plate to the mounting strap by inserting the fixture mounting screws, then secure it with two ball nuts.
5. Attach the glass shade onto the glass bracket, secure it with a socket ring.
6. Install a bulb (not included). See relamping label at socket area or packaging for maximum allowed wattage.
7. Turn on the power at the main fuse or circuit breaker box.

Turn on the power at fuse or circuit box

The following parts are available for re-order if damaged or missing.

Spare Parts List:



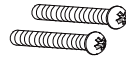
Mounting Strap (A)



Mounting Screw (B)



Green Grounding
Screw (C)



Fixture Mounting
Screw (D)



Lock Nut (E)

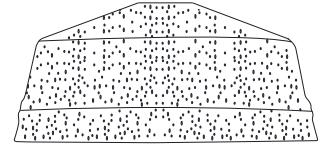


Wire Connector (F)

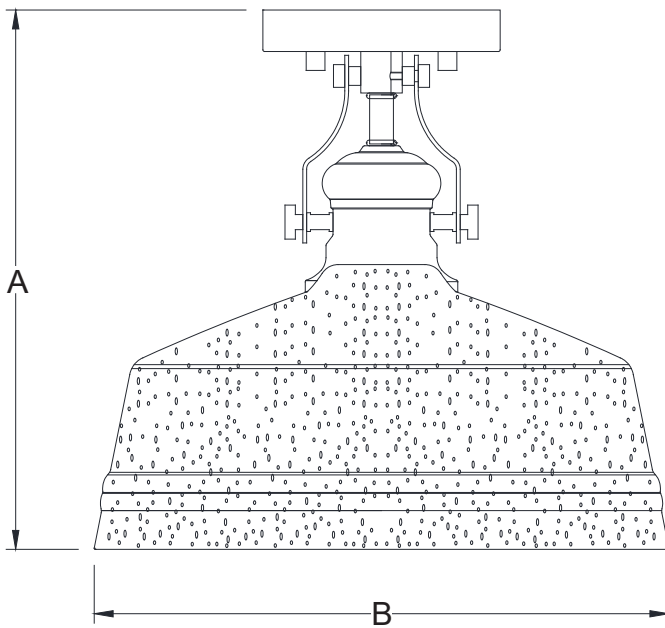


Ball Nut (G)

Assembly Kit
5980MM (1SET)



Glass (1 PC)
10029CS



A:11"
B:12"