

ASSEMBLY AND INSTALLATION INSTRUCTIONS

T0165

WARNING: TO AVOID RISK OF ELECTRICAL SHOCK, BE SURE TO SHUT OFF POWER WHILE INSTALLING OR SERVICING THIS FIXTURE.

NOTES: 1. Before installing, consult local electrical codes for wiring and grounding requirements.
2. READ AND SAVE THESE INSTRUCTIONS.

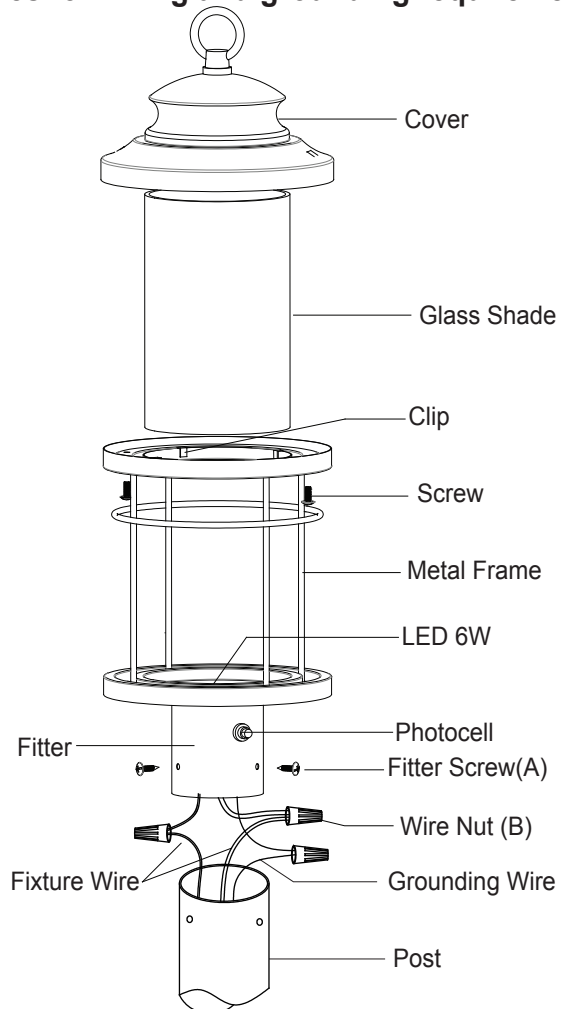
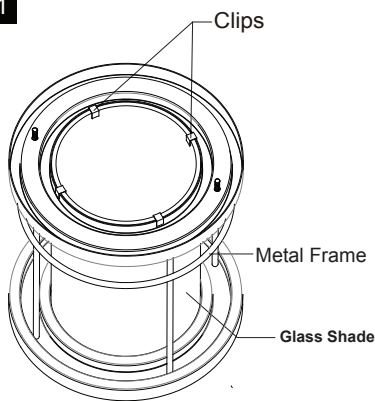
Hardware Package (included):



IMPORTANT:

The sensor has an excellent photocell function to enable the light to turn on at dusk and off at dawn automatically.

Fig.1



Installation Steps

Turn off the power at fuse or circuit box.

1. Place the glass shade into the metal frame carefully, and then secure it by pressing the clips from the top side. (See Fig.1)
2. Attach the cover to the metal frame and secure it with two screws.
3. Pull out the source wires from the post. Make wire connections using wire nuts as follow:
 - Connect the hot wire (usually black insulation) from the fixture to the black wire from the post.
 - Connect the neutral wire (usually white insulation) from the fixture to the white wire from the post.
 - Attach the fixture grounding wire (usually green insulation or bare wire) to the grounding wire from the post.Carefully put the wires back into the post.

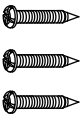
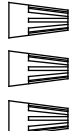
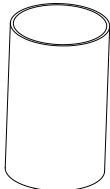
4. Place the fitter on the post, then secure it with the fitter screws.

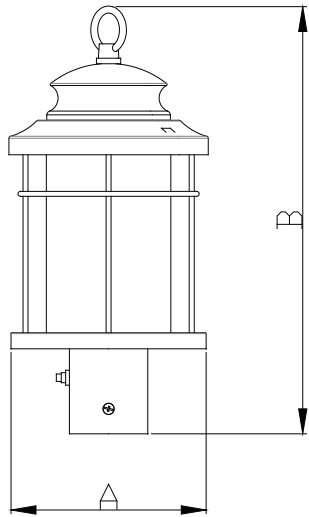
CAUTION: With silicone caulking compound, caulk completely around where the fitter meets with the post surface to prevent water from seeping into the post.

Turn on the power at fuse or circuit box.

The following parts are available for re-order if damaged or missing.

Spare Parts List:

 Fitter Screw(A)	 Wire Nut(B)	→ Assembly Kit 5167MM (1 SET)	 → Glass Shade 9646CK
--	--	----------------------------------	--



A: 8"
B: 16"