

CM403RA-M-PIR

14" LED SURFACE MOUNT
WITH DECORATIVE DOUBLE RING TRIM & SENSOR



Fixture Type
Project
Notes



The LED Surface Mount Downlight with Decorative Double Ring and Built-in Microwave Sensor series is designed for residential and commercial applications. Its design features a contemporary double ring steel trimming in Brushed Nickel with only 4-3/4" in depth. Its Frosted Polycarbonate Diffuser provides comfortable non-glare lighting with no hot spots. With built-on driver and Microwave Sensor included, this fixture can easily be installed close-to-ceiling or as wall sconce.



SPECIFICATIONS

INPUT VOLTAGE	120V AC
WATTAGE	18 W
LUMENS	1200 Lm
EFFICACY	67 Lm/W
CRI	90+

BEAM ANGLE	120°
ENVIRONMENT	Damp
CERTIFICATIONS	cETLus, T24 Compliant
LUMEN MAINTENANCE	50,000 hours
WARRANTY²	5 years

¹ See published warranty terms for detailed information

PERFORMANCE

COLOR TEMPERATURE	LUMEN	WATTAGE	EFFICACY	CRI
3000K	1200 Lm	18 W	67 Lm/W	90+

3000K
Warm White

ORDERING INFO



MODEL
CM403RA-M-PIR-3090-BN

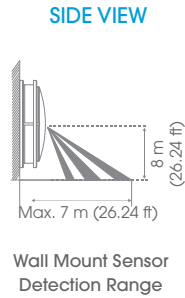
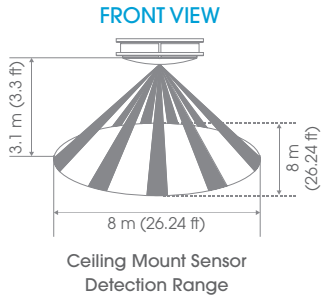
CM403RA-M-PIR

14" LED SURFACE MOUNT
WITH DECORATIVE DOUBLE RING TRIM & SENSOR



Fixture Type
Project
Notes

HOW IT WORKS

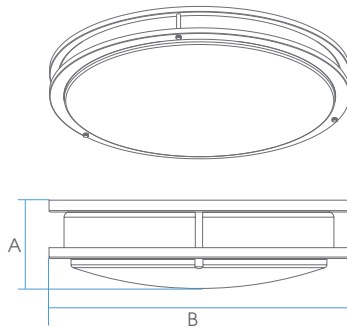


Turn on fixture. When motion is detected, the light level comes on at 100%.



The light stays on 50% after 30 seconds of no motion.

DIMENSIONAL DRAWINGS

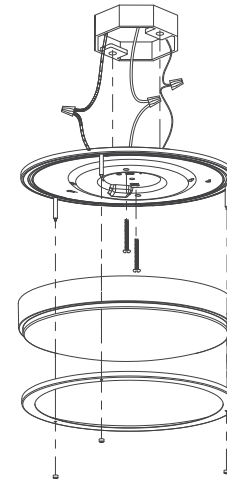


DIMENSIONS

A	4-3/4"	120 mm
B	14-3/4"	375 mm

INSTALLATION

J-BOX



Each Box includes:

- 14" Disk Light
- 2 J-box Screws
- 3 Wire Nuts