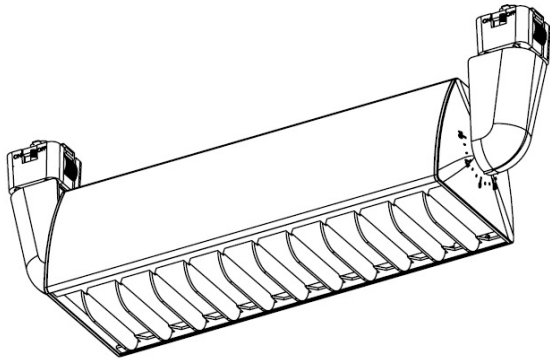




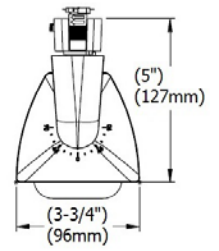
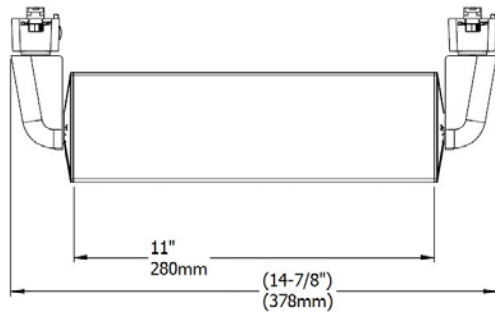
L519S

120V LED TRACK WALL WASH/FLOOD

Type	
Project	
Catalog No.	



shown with optional louver



DESCRIPTION

Line voltage LED track fixture suitable for retail, commercial and hospitality wall wash/flood application. Robust aluminum housing provides light weight, durability and clean lines.

CONSTRUCTION

- Die-cast aluminum end caps.
- Extruded aluminum housing.
- No exposed wiring.
- Texture powder coat paint.
- ±175° vertical aim adjustment with ±90° aim indicator mark.

MOUNTING

Provides electrical and mechanical connection to single or two circuit track.

ELECTRICAL

- Input: 120VAC 50/60Hz
- Input Power: 31W
- Efficacy: 79 lm/W
- Power Factor: ≥ 0.9
- THD: ≤ 20%
- Dimming: 10%, refer to recommended dimmers list
TRIAC (forward-phase or leading edge)
ELV (reverse-phase or trailing-edge)

LED

- CCT: 2700K, 3000K, 3500K, 4000K
- CRI: 90+
- Color Control: 3-step MacAdam ellipse
- Luminous Flux: 2438 lm @ 3000K, 90CRI

Optics

Built-in matte lens provides a diffuse, uniform wall wash beam spread. Protects LED and optical components from contaminants.

L519SLV (ordered separately)

Louver designed to provide additional light shielding and glare reduction when needed.

Custom designed concealed heatsink provides optimal thermal management and silent operation to yield over 70% lumen maintenance for a minimum of 50,000 operation hours in 25°C (77°F) ambient.

LABELS

cETLus Listed

WARRANTY

5 Years

ORDERING INFORMATION

SYSTEM	SERIES	CCT	CRI	FINISH
H2 = H1 or H2 Track	L519S	27 – 2700K	90 – 90+	B – Black
L2 = L1 or L2 Track		30 – 3000K		W – White
J2 = J1 or J2 Track		35 – 3500K		
		40 – 4000K		
	L519S		90	

Louver

- L519SLVB Black
- L519SLVW White



www.jescolighting.com
support@jescolighting.com
Tech Support: 855.592.0029

15 Harbor Park Drive
Port Washington, NY 11050
Main Line: 800.527.7796
Fax Line: 855.265.5768

219 South 6th Ave
City of Industry, CA 91746
Main Line: 855.654.0110
Fax Line: 626.333.2955

Specifications subject to change without notice.



L519S

120V LED TRACK WALL WASH/FLOOD

Type	
Project	
Catalog No.	

RECOMMENDED DIMMERS

Manufacturer	Model	Manufacturer	Model	Manufacturer	Model
Cooper ¹	DLC03P	Lutron	SELV-300P	Leviton ³	IPI06-1LZ
	DAL06P		TG-600P		IPE04
	SLC03P		LG-600P		VPE06
Lutron ²	S-603PG		S-600P		6683-IW
	DVCL-153P		MAELV-600		6161
	DV-600P		FAELV-500	6633-P	
	TGCL-153P	DVELV-303P	Lightolier ⁴	ZP260QEW	

JESCO recommends testing your unique dimming configuration as the exact application may affect dimming performance.

APPLICATION DATA

CCT Correction Factor

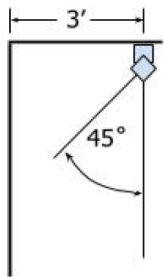
CCT	CRI	Factor
2700K	90	0.98

CCT	CRI	Factor
3000K	90	1.00

CCT	CRI	Factor
3500K	90	1.03

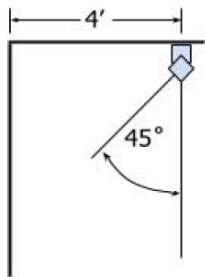
CCT	CRI	Factor
4000K	90	1.08

Footcandles on Wall



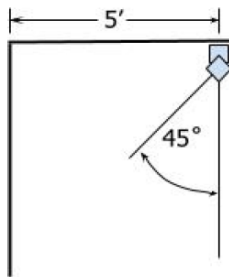
Distance from ceiling	Single Unit					
	0'	1'	2'	3'	4'	5'
1'	69	67	54	33	17	8
2'	63	61	50	31	17	9
3'	53	55	44	30	17	9
4'	36	38	32	23	14	9
5'	24	26	22	17	11	7
6'	14	15	13	10	8	6
7'	9	10	9	8	6	5
8'	6	6	6	5	4	4
9'	4	4	4	4	3	3

Multiple Units		
4'	6'	8'
97 94 97	78 51 77	72 25 72
91 89 91	73 49 72	65 25 66
81 80 81	63 47 62	60 25 56
62 62 62	45 39 46	42 22 40
44 45 45	33 30 33	29 18 28
30 30 31	22 21 22	18 14 18
21 22 23	16 16 16	13 11 13
16 17 17	12 12 12	10 9 10
12 12 12	9 9 9	7 7 7



Distance from ceiling	Single Unit					
	0'	1'	2'	3'	4'	5'
1'	43	43	37	26	16	9
2'	41	41	35	25	16	10
3'	38	38	33	24	16	10
4'	30	31	27	21	14	10
5'	22	23	21	17	12	8
6'	15	16	14	12	9	7
7'	11	11	10	9	7	6
8'	8	8	7	7	6	4
9'	5	5	5	5	4	3

Multiple Units		
4'	6'	8'
71 71 72	53 44 53	47 26 47
70 70 71	52 44 52	45 26 46
66 67 67	49 43 49	43 26 42
57 58 59	42 39 42	36 25 35
45 47 47	33 32 33	28 21 28
34 35 36	25 24 25	21 17 21
26 27 27	19 19 20	16 14 16
20 21 21	15 15 15	12 11 12
15 16 16	11 12 12	9 9 9



Distance from ceiling	Single Unit					
	0'	1'	2'	3'	4'	5'
1'	28	28	26	20	14	9
2'	28	28	25	20	14	9
3'	27	27	25	19	14	10
4'	24	24	22	18	13	10
5'	19	20	18	15	12	9
6'	15	15	14	12	10	7
7'	11	11	11	10	8	6
8'	8	8	8	7	6	5
9'	6	6	6	5	5	4

Multiple Units		
4'	6'	8'
54 55 56	40 37 40	33 24 34
55 56 56	40 37 40	33 25 34
54 55 56	39 37 39	32 25 33
50 51 52	36 35 37	30 24 30
42 44 45	31 31 32	25 22 26
34 36 37	26 26 26	21 19 21
28 29 30	21 21 21	17 16 17
22 23 24	17 17 18	13 13 14
18 19 19	13 14 14	11 11 11

Footcandles are average and rounded off. Data for multiple units are based on a minimum of five units.

Notes:

¹Cooper is a registered trademark of Eaton

²Lutron is a registered trademark of Lutron Electronics, Inc.

³Leviton is a registered trademark of Leviton Mfg. Co., Inc.

⁴Lightolier is a registered trademark of Philips Lighting.



www.jescolighting.com
 support@jescolighting.com
 Tech Support: 855.592.0029

15 Harbor Park Drive
 Port Washington, NY 11050
 Main Line: 800.527.7796
 Fax Line: 855.265.5768

219 South 6th Ave
 City of Industry, CA 91746
 Main Line: 855.654.0110
 Fax Line: 626.333.2955

Specifications subject to change without notice.