

# JONI PENDANT

## PRODUCT FEATURES

- An integrated LED lamp is suspended within a conical shade and creates a uniquely contemporary pendant
- Available in three stylish finish combinations. Matte Black, Aged Brass and Polished Nickel. All finishes are designed with a Matte White inner reflector
- Includes (4) 12" and (2) 6" rigid stems in coordinating finish
- Complete the look with other fixtures in the Joni family, such as the Flush Mount, Wall Sconce and smaller scale Low-Voltage Pendant
- Lamping options are compatible with most dimmers
- Protected by a 5-year warranty, please visit the "About Us" Page on [techlighting.com](http://techlighting.com) for more for warranty details



## LAMPING

Includes 120 volt 12.7 watt, 938.9 delivered lumens, 3000K, LED module. Dimmable with most LED compatible ELV and TRIAC dimmers. Includes (4) 12" and (2) 6" rigid stems in coordinating finish.

Matte Black



Aged Brass

Polished Nickel

Matte Black

## ORDERING INFORMATION

700TDJNI	FINISH	LAMP
	R AGED BRASS	-LED930 INTEGRATED 90 CRI 3000K 120V (T24)
	B MATTE BLACK	
	N POLISHED NICKEL	

700TDJNI \_\_\_\_\_

JOB NAME \_\_\_\_\_

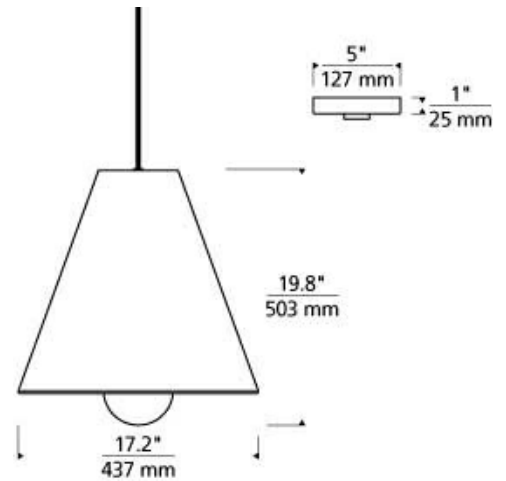
NOTES \_\_\_\_\_



# JONI PENDANT

## SPECIFICATIONS

HARDWARE MATERIAL	Metal
SHADE MATERIAL	Glass
NET WEIGHT	7.5 lbs
HEIGHT	19.8in
WIDTH	17.2in
LENGTH	17.2in
UP LIGHT / DOWN LIGHT / BOTH?	
WET LISTED	
DAMP LISTED	Yes
DRY LISTED	
MIN. HANGING HEIGHT	26.8in
MAX HANGING HEIGHT	80.8in
TOTAL CORD LENGTH	
TOTAL STEM LENGTH	Up to 60in
STEM QTY	6
SLOPED CEILING ADAPTABLE?	Yes 35° Max
GENERAL LISTING	ETL Listed
INCLUDES	



## LAMPING SPECIFICATIONS

	LED LAMP	INTEGRATED LED	NON LED	NO LAMP
DELIVERED LUMENS		938.9		
WATTS		12.7		
MAX WATTAGE PER BULB		12.7W		
INPUT VOLTAGE		120V		
DIMMING TYPE*		ELV, TRIAC		
CCT		3000K		
CRI		90 CRI		
LED LIFETIME				
L70		>50000		
AVERAGE BULB HOURS				
FIELD SERVICEABLE LED				
LAMP BASE		Integrated LED		
LAMP SHAPE		Integrated LED		
LAMP INCLUDED?		Y		
WARRANTY**		5 Years		

\*Dimming information available at [www.techlighting.com/Downloads#dimming](http://www.techlighting.com/Downloads#dimming)

\*\* Visit [techlighting.com](http://techlighting.com) for specific warranty limitations and details.

## T20 / T24 INFORMATION

	Integrated LED	Replacement LED Lamp	No Lamp *
This product can be used to comply with California Building Energy Efficiency Standards 2016 <b>Title 24</b> Part 6.	Yes		
This product can be used to comply with California Appliance Efficiency Standards 2016 <b>Title 20</b> and may be shipped to and sold in California.	N/A		

\* If a light fixture or component does not include a lamp or light source, it is the responsibility of the customer to select a lamp that meets the T24 and T20 requirements.

